



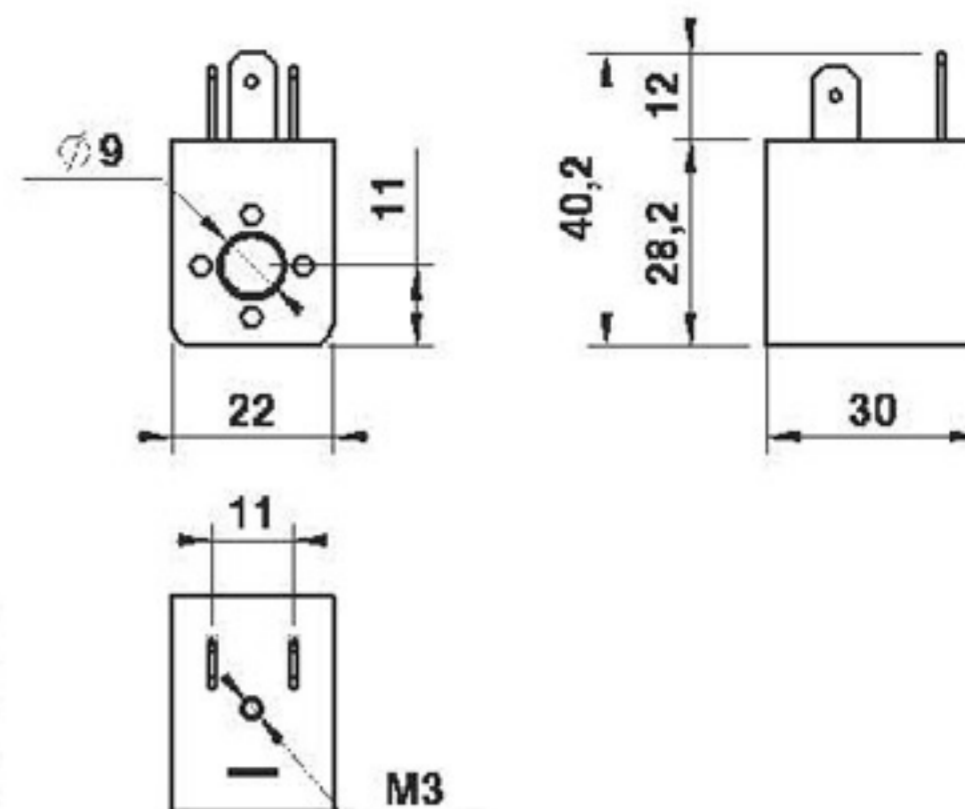
### Dati Tecnici - Technical Data

Tensione - Voltage: 24V DC, 24V AC, 110V AC, 220V AC  
 Tolleranza di tensione - Voltage tolerance:  $\pm 10\%$   
 Assorbimento - Power consumption: AC=5VA DC=3,0W  
 Inserimento - Duty cycle: ED 100%  
 Protezione con connettore - Protection with connector:  
 IP 65 EN 60529

### Bobina 22mm 22mm Coil



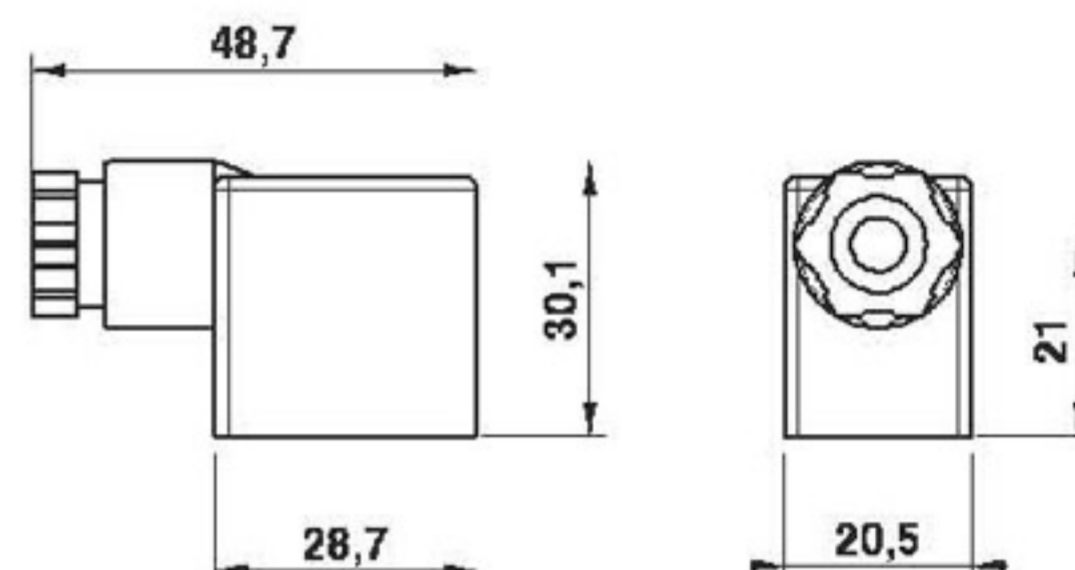
CODICE-CODE	REF.	LINE
A50.26.00018	BOBINA (COIL) DC12V	120-125-127-130
A50.26.00006	BOBINA (COIL) DC24V	120-125-127-130
A50.26.00007	BOBINA (COIL) AC24V 50/60HZ	120-125-127-130
A50.26.00008	BOBINA (COIL) AC110V 50/60HZ	120-125-127-130
A50.26.00009	BOBINA (COIL) AC220V 50/60HZ	120-125-127-130



### Connettore Connector



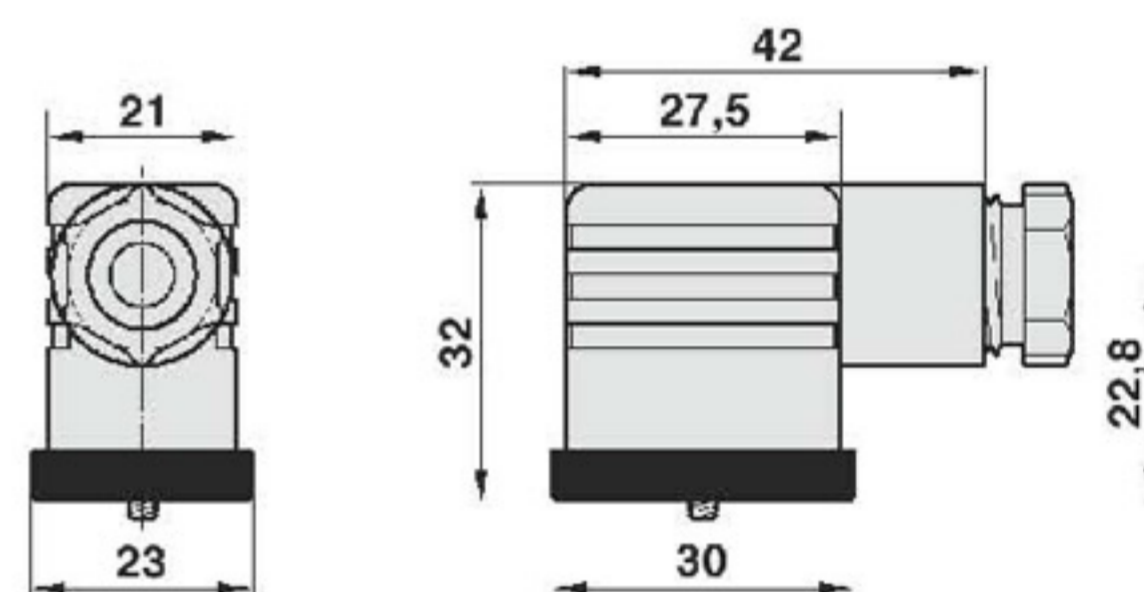
CODICE-CODE	REF.	LINE
A50.26.00010	CONNECTOR SP. 22 mm	125-127-130



### Connettori luminosi 22mm 22mm LED connectors



CODE	REF.	LINE
A502600026	CONNETTORE LUMINOSO 22mm 24V 22mm LED CONNECTOR 24V	120-125-127 130
A502600027	CONNETTORE LUMINOSO 22mm 115V 22mm LED CONNECTOR 115V	120-125-127 130
A502600028	CONNETTORE LUMINOSO 22mm 230V 22mm LED CONNECTOR 230V	120-125-127 130



### Connettori luminosi 22mm cablati 22mm Cabled LED connectors



CODE	REF.	LENGTH	LINE
A502600029	CONNETTORE CABLATO 22mm 24V 22mm CABLED CONNECTOR 24V	3 mt 3 mt	120-125-127 130
A502600030	CONNETTORE CABLATO 22mm 115V 22mm CABLED CONNECTOR 115V	3 mt 3 mt	120-125-127 130
A502600031	CONNETTORE CABLATO 22mm 230V 22mm CABLED CONNECTOR 230V	3 mt 3 mt	120-125-127 130

