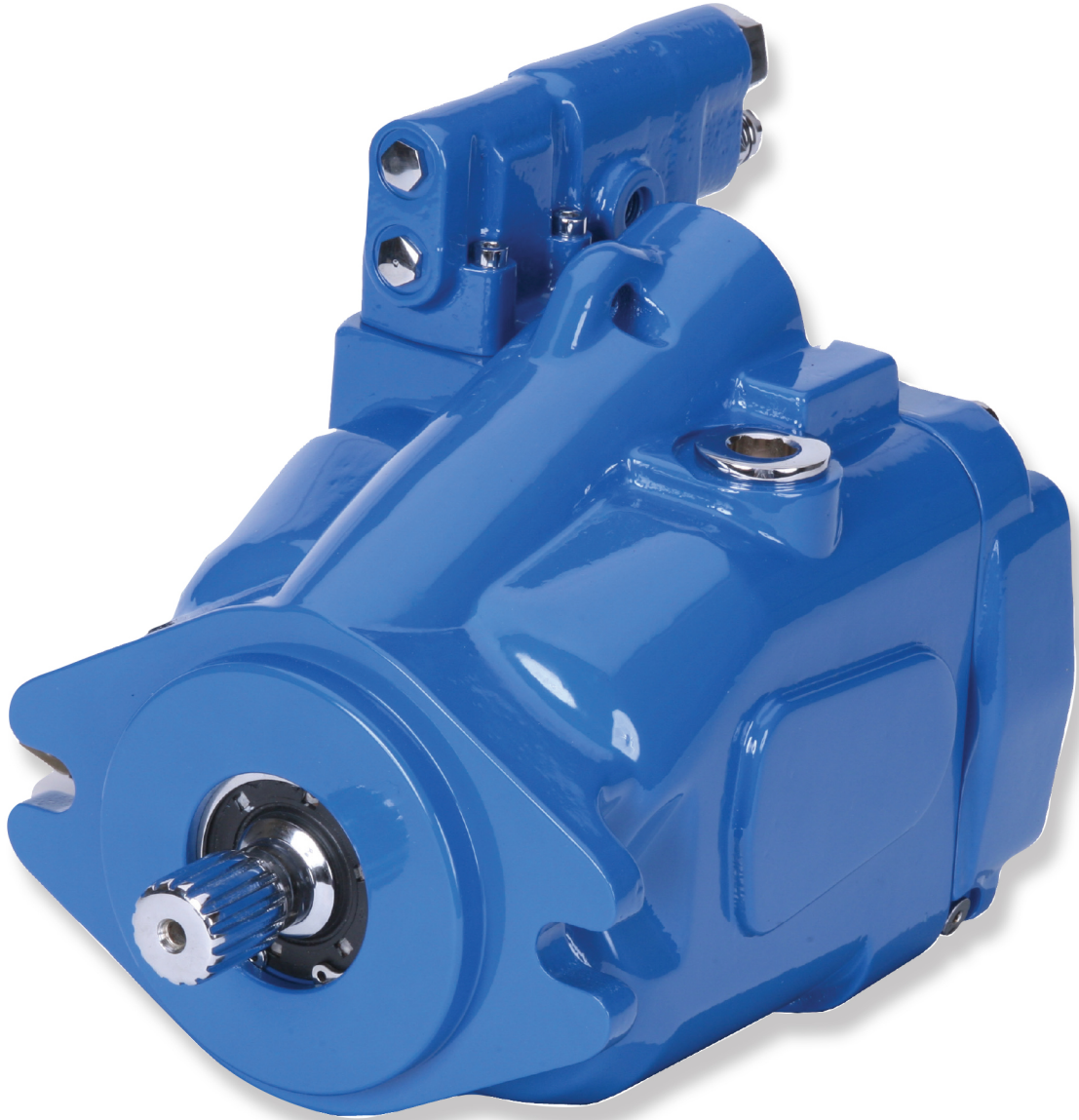


420 Mobile Piston Pump
Design Code B

ADU041
ADU049

ADU062
ADU080



EATON

Powering Business Worldwide

Introduction

420 Series Mobile Piston Pump

Eaton's 420 Series mobile pumps are open circuit, axial piston designs with displacements of 41cc, 49cc, 62cc, and 80cc for operating speeds up to 2,650 rpm. They are available with a variety of control options to match their performance to a broad range of mobile applications.

The highly efficient pump controls reduce cooling system requirements, allowing a smaller and less expensive design to be used. Or, cooling capacity can be kept the same and the flow capability of the system increased to improve performance.

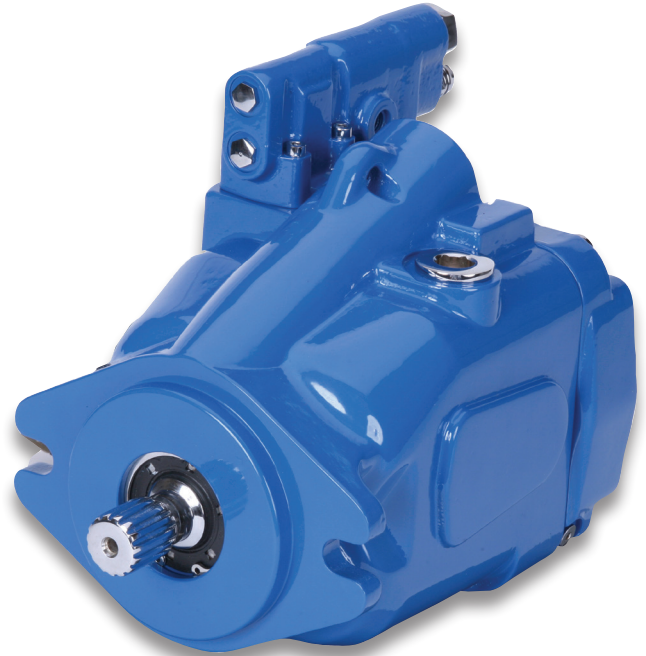
A strong, field-proven rotating group allows the pumps to handle pressures to 280 bar (4000 psi) continuous and 320 bar (4600 psi) intermittent – with less maintenance cost. 420 Series pumps use a saddle-type swashplate with steel-backed polymer bearings and a pressure lubrication passage to reduce wear and support internal loads.

The swashplate is very stiff, which reduces deflection and allows even loading of the bearings to extend the unit's service life. The combination of high load capacity bearings and a stiff drive shaft help provide a pump B10 bearing life of 3320 hours at rated mobile conditions, reducing operating costs and extending operating life.

A single control piston is used to vary pump output. This design reduces the forces acting on the swashplate, resulting in reduced package size, which allows pump installation into tighter locations.

In response to customer expectations and regulatory requirements, Eaton has designed the 420 Series pumps to operate at very low noise levels. A bimetal timing plate is used to improve pump filling characteristics which further reduces fluid-borne noise and extends pump life.

Both SAE and ISO mounting flange configurations are available as well as SAE and ISO tube- and flange-type ports. Side- or end-ported models are available to facilitate plumbing and help fit the pump to machine space needs, as are multiple drain ports to allow many mounting orientations.



Typical Applications

- Loader backhoes
- Vibratory cable plows
- Mining machinery
- Dump truck lifts
- Agriculture tractors
- Chemical applicator trucks
- Railroad equipment
- Container handling, all-terrain, and truck cranes
- Vibratory cable plows
- Mining machinery and tunnel boring equipment
- Utility boom, off-road dump, and refuse trucks
- Material handling trucks and rough terrain fork lifts
- Concrete and asphalt pavers
- Feller/bunchers, forwarders, and log loaders
- Crawler dozers
- Articulate haulers
- Mini-excavators

Features and Benefits

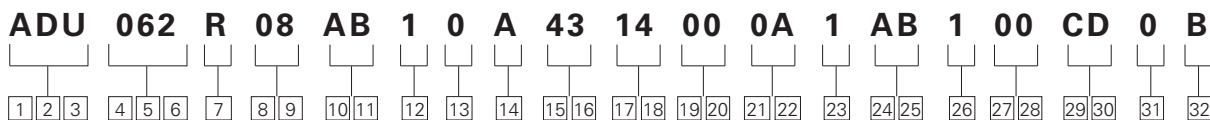
- Long pump life
- Quiet pump operation
- Low installed and operating costs
- Reduced maintenance
- Flexibility in machine design
- Compact size saves space
- Design promotes leak-free system

Table of Contents

Model Codes	4
Specifications and Performance	6
Control Options	
Load Sense and Pressure Compensator	7
Pressure Compensator	8
Torque Control	9
EH Inverse Proportional Pressure Control (IPPC)	10
Remote Pressure Control	11
Cold Start Valve	12
Performance	
ADU041	13
ADU049	16
ADU062	19
ADU080	22
Pump Installation	
B-mount – Rear-ported	25
B-mount – Side-ported	26
C-mount – Rear-ported	27
C-mount – Side-ported	28
Thru-Drive SAE A Option	27
Thru-Drive SAE B Option	29
Dual Shaft Seal Option	30
Control Installation	
Load Sense and Pressure Compensator	32
Pressure Compensator	33
Torque Control	34
EH Inverse Proportional Pressure Control (IPPC)	35
Cold Start Valve	36
External Manual Stroke Adjustment	37
Input Shaft Options	38
Center of Gravity	41
Installation and Start-up	42

Model Codes

420 Mobile Piston Pump



1 2 3 Pump Series

ADU – 420 Series Open Circuit Piston Pump

4 5 6 Pump Displacement

- 041** – 41.0 cm³/r [2.50 in³/r]
- 049** – 49.2 cm³/r [3.00 in³/r]
- 062** – 62.3 cm³/r [3.80 in³/r]
- 080** – 80.0 cm³/r [4.88 in³/r]

7 Input Shaft Rotation

- R** – Right Hand
- L** – Left Hand

8 9 Front Mount and Shaft

- 01** – 2 Bolt B, 22.2 mm (0.875in.) Dia. Keyed Shaft
- 02** – 2 Bolt B, 25.4 mm (1.00in.) Dia. Keyed Shaft
- 03** – 2 Bolt B, 22.22 mm (.875in.) Dia. Tapered Keyed Shaft
- 05** – 2 Bolt B, 13 Tooth 16/32 Spline
- 08** – 2 Bolt B, 15 Tooth 16/32 Spline
- 32** – 2/4 Bolt C, 14 Tooth 12/24 Spline
- 33** – 2/4 Bolt C, 31.8 mm (1.25in) Dia. Keyed Shaft
- 34** – 2 Bolt B, 15 Tooth 16/32 Sled Runner Spline
- 35** – 2 Bolt B, 14 Tooth 12/24 Spline
- 38** – 2/4 Bolt C, 31.75 mm (1.25) Dia. Tapered Keyed Shaft

10 11 Main Ports Size & Location

- AA** – Rear Ports
Suction - 2" (Code 61);
Pressure - 1" (Code 61)
- AB** – Side Ports
Suction - 2" (Code 61);
Pressure - 1" (Code 61)
- AC** – Rear Ports
Suction - 2" (Code 61)
with M12 Threads;
Pressure - 1" (Code 61)
with M10 Threads.
- AD** – Side Ports
Suction - 2" (Code 61)
with M12 Threads;
Pressure - 1" (Code 61)
with M10 Threads.
- AE** – Rear Ports
Suction - SAE O-Ring
Port; Pressure - UN-2B
SAE O-Ring Port (ADU041
& ADU049 only)
- AF** – Side Ports
Suction - #24 SAE O-Ring;
Pressure - #16 SAE
O-Ring (ADU041 and
ADU049 Only)
- AG** – Rear Ports
Suction - M48
Metric O-Ring;
Pressure - M33
Metric O-Ring
(ADU041 & ADU049 Only)
- AH** – Side Ports
Suction - M48
Metric O-Ring;
Pressure - M33
Metric O-Ring
(ADU041 & ADU049 Only)
- AK** – Rear Ports
Suction - 2" (Code 61);
Pressure - #16 SAE
O-Ring (ADU062 Only)

12 Case Drain Ports

- 1** – #12 SAE O-Ring - Top
- 2** – #12 SAE O-Ring - Bottom
- 3** – M27 x 2 O-Ring - Top
- 4** – M27 O-Ring - Bottom
- 5** – #12 SAE O-Ring - Left Side
(Swash Sensor Boss)
- 6** – G 3/4 (BSPP) - Top

13 Diagnostic Pressure Ports

- Not available on thru-drive units*
- 0** – No Diagnostic Pressure Ports
 - 1** – #6 SAE O-Ring - Plugged
(Rear Ports Only)
 - 2** – M14 Metric O-Ring -
Plugged (Rear Ports Only)
 - 3** – #4 SAE O-Ring - Plugged
(Side Ports Only)
 - 4** – M12 Metric O-Ring -
Plugged (Side Ports Only)

14 Controller Type

- A** – Pressure Flow
Compensator With
#4 SAE O-Ring
Load Sense Port
- B** – Pressure Flow
Compensator With
M12 Metric O-Ring
Load Sense Port
- C** – Pressure Compensator
Only
- E** – Pressure Flow
Compensator With
G 1/4 (BSPP) Load Sense
Port
- H** – Pressure Flow
Compensator With
Torque Control #4 SAE
O-Ring Load Sense Port
- J** – Pressure Flow
Compensator With Torque
Control M12 Metric O-Ring
Load Sense Port
- K** – Pressure Compensator
With Torque Control
- V** – EH Inverse Proportional
Pressure Control
- W** – Remote Pressure Control
with .4375-20 SAE O-Ring
Port, Left Side#

15 16 Pressure Compensator Setting (Tolerance on Setting)*

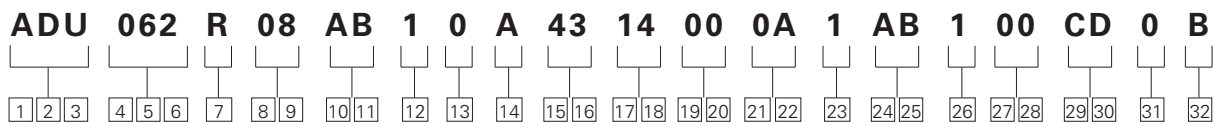
- 28** – 207-214 bar
[3000-3100 lbf/in²]
- 35** – 241-248 bar
[3500-3600 lbf/in²]
- 43** – 276-283 bar
[4000-4100 lbf/in²]

* Additional Settings Available by Request

- Recommend RPC pressure settings 10-21 bar (140-350 psi)

Model Codes

420 Mobile Piston Pump



[17][18] Flow Compensator / Remote Pressure Control Setting*

- 00** – No Flow Compensator Setting
- 14** – 12-15 bar [180-220 lbf/in²]
- 24** – 23-26 bar [330-370 lbf/in²]

[19][20] Torque Control Setting

- 00** – No Torque Control
- AA** – 40 Nm [350 in-lbs] (41,49)
- AB** – 51 Nm [450 in-lbs] (41,49)
- AC** – 62 Nm [550 in-lbs] (41,49,62)
- AD** – 73 Nm [650 in-lbs] (41,49,62,80)
- AE** – 85 Nm [750 in-lbs] (41,49,62,80)
- AF** – 96 Nm [850 in-lbs] (41,49,62,80)
- AG** – 107 Nm [950 in-lbs] (41,49,62,80)
- AH** – 119 Nm [1050 in-lbs] (49,62,80)
- AJ** – 130 Nm [1150 in-lbs] (49,62,80)
- AK** – 141 Nm [1250 in-lbs] (49,62,80)
- AL** – 153 Nm [1350 in-lbs] (62,80)
- AM** – 164 Nm [1450 in-lbs] (62,80)
- AN** – 175 Nm [1550 in-lbs] (62,80)
- AP** – 186 Nm [1650 in-lbs] (62,80)
- AR** – 198 Nm [1750 in-lbs] (62,80)
- AT** – 209 Nm [1850 in-lbs] (62,80)
- AU** – 220 Nm [1950 in-lbs] (80)

[21][22] Control Special Features

- 00** – Control Special Features
- 0A** – Bleed Down Orifice
- 0D** – 12V Cold Start Valve
- 0S** – 12V DC Solenoid AMP Jr Connector
- 0T** – 24V DC Solenoid AMP Jr Connector
- 0U** – 12V DC Solenoid Deutsch Connector
- 0V** – 24V DC Solenoid Deutsch Connector

[23] Maximum Displacement Option*

- 1** – Standard Displacement (As Given In Code Title)
- 2** – External Manual Stroke Adjustment

[24][25] Auxiliary (Rear) Mount & Output Shaft

- 00** – No Auxiliary Mounting Features
- AB** – SAE A 2 Bolt, 11T 16/32 Spline
- AC** – SAE B 2 Bolt, 13T 16/32 Spline
- AD** – SAE B 2 Bolt, 15T 16/32 Spline
- AE** – SAE A 2 Bolt, 9T 16/32 Spline

[26] Shaft Seal

- 0** – No Shaft Seal
- 1** – Standard Polyacrylate Shaft Seal
- 2** – Viton Shaft Seal
- 3[†]** – Double, Two-Way Shaft Seal, Viton With VHO Filter
- 4** – Nitrile Shaft Seal
- 5** – Single Viton Shaft Seal in 2/4 Bolt C Mount Pump Housing

[27][28] Pump Special Features

- 00** – No Special Features
- AA** – Auxiliary Mounting Cover Plate
- AB** – Swash Position Sensor
- AC** – Shaft Speed Sensor
- AD** – Modified End Cover, Corner Removed
- AE** – Support Studs (1/2-13 UNC-2B x 117.8 (4.64) Long in Top Two End Cover/Housing Bolt Locations
- AG** – Swash Position Sensor and Shaft Speed Sensor

[29][30] Paint

- 00** – No Paint
- CD** – Blue Primer

[31] Identification/Packaging

- 0** – Standard Eaton Identification Box Packaging

[32] Design Level

- B** – Second Design

* Additional Settings Available by Request

† Not available on SAE B mount

Specifications and Performance

General Performance Specifications

		Units	ADU041	ADU049	ADU062	ADU080
Displacement		cc/r (in³/r)	41.0 (2.50)	49.2 (3.00)	62.3 (3.80)	80.0 (4.88)
Weight	Single Seal ¹	kg (lbm)	22.9 (50.4)	22.9 (50.4)	23.8 (52.4)	24.2 (53.4)
	Dual Seal ¹		24.1 (53.1)	24.1 (53.1)	25.0 (55.1)	25.4 (56.1)
Pressure	Continuous	bar (psi)	280 (4060)	280 (4060)	280 (4060)	210 (3050)
	Intermittent ²		320 (4600)	320 (4600)	320 (4600)	230 (3335)
	Peak ³		350 (5000)	350 (5000)	350 (5000)	250 (3625)
Speed⁴	At 1 bar abs (0 psig)	rpm	2650	2650	2600	2200
	At .85 bar abs (5 in.Hg)		2450	2450	2400	1800
	At 2 bar abs (15 psig)		2950	2950	2800	N/A
	Max (standby)		3600	3600	3600	3600
	Min		600	600	600	600
Power	Max (theoretical)	kW (hp)	50.7 (68.0)	60.8 (81.5)	75.6 (101.3)	61.7 (82.7)
	Standby		.98 (1.3)	.98 (1.3)	1.1 (1.5)	1.4 (1.9)
Torque	Max (theoretical)	Nm (lb-ft)	183 (135)	219 (162)	278 (205)	268 (198)
Bearing Life⁵	At 140 bar (2030 psi)	B10 Hours	103,650	55,580	33,500	17,150
	At 210 bar (3045 psi)		26,830	14,380	8,670	4,440
	At 280 bar (4060 psi)		10,280	5,510	3,320	N/A
Mass Moment of Inertia		Nm-sec²	.0033	.0033	.0046	.0058
		(lb-in-sec²)	(.0288)	(.0288)	(.0403)	(.0517)

1 Standard SAE B non-through drive.

2 Less than 10% of duty cycle.

3 Momentary system pressure spikes only.

4 Ratings based on Flange ports. Note: Tube ports are not available on the 62cc and 80cc displacements.

5 Bearing life ratings at rated speed - 1 bar abs (0 psig) inlet.

Inlet Pressure, Case Pressure, and Operating Temperature Requirements

Inlet Pressure			Case Pressure			Operating Temperature		
Rated bar abs (psig)	Minimum bar abs (in. Hg)	Maximum bar abs (psig)	Maximum Continuous bar abs (psig)	Maximum Intermittent bar abs (psig)	Peak bar abs (psig)	Rated °C (°F)	Minimum Temperature °C (°F)	Maximum Intermittent °C (°F)
1.0 (0)	0.85 (5)	4.4 (50)	1.3 (5)	3.1 (30)	6.2 (75)	93 (200)	-37 (-35)	104 (220)

Hydraulic Fluids

Fluid	Recommended Operating Viscosity Range cSt (SUS)	Maximum Continuous cSt (SUS)	Maximum Viscosity at Startup cSt (SUS)	Minimum Viscosity @ Max. Intermittent Temperature of 93°C (200°F) cSt (SUS)	Minimum Intermittent cSt (SUS)
Use antiwear hydraulic oil, or automotive type crankcase oil (designations SC, SD, SE or SF) per SAE J183 FEB80	16 to 40 (80 to 188)	430 (1192)	2100 (9720)	10 (59)	6 (46)

For more information, see Eaton publication 579. For operation on other alternative or environmentally friendly fluids, please contact your Eaton Representative.

Control Options

Load Sense and Pressure Compensator

Load Sense and Pressure Compensator Control

The pump will provide power matching of pump output to system load demand, maximizing efficiency and improving load metering characteristics of any directional control valve installed between the pump and the load.

Load sensing ensures that the pump always provides only the amount of flow needed by the load. At the same time, the pump operating pressure adjusts to the actual load pressure plus a pressure differential required for the control action. When the system is not demanding power, the load sense control will operate in an energy-saving stand-by mode.

Typically, the differential pressure is that between the pressure inlet and service port of a proportionally controlled directional valve, or a load sensing directional control valve. See the model code on page 4 for differential pressure settings for load sensing.

If the load pressure exceeds the system pressure setting, the pressure compensator de-strokes the pump. The load sensing line must be as short as possible and can also be used for remote control or unloading of the pump pressure. For remote control purposes, it is recommended that you contact your Eaton Representative for the correct configuration of the control.

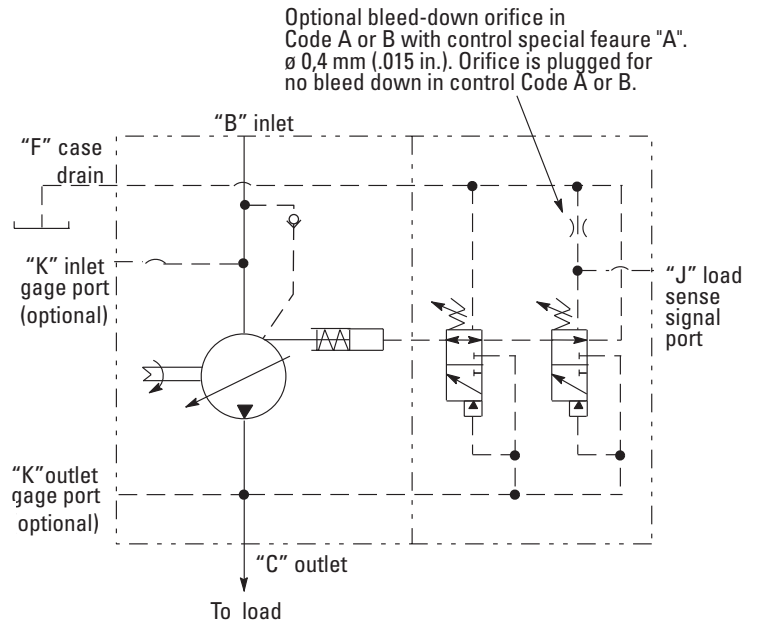
Warning: The pressure compensator may be adjusted beyond the rated pressure of the pump. When adjusting the pressure limiter, install a 0-350 bar (0-5000 psi) gage in the outlet gage port and limit the pressure setting to the continuous rated pressure for the pump displacement shown on page 6.

Pressure Limit Settings

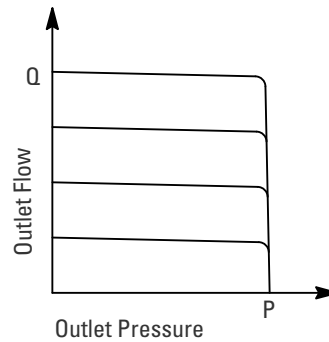
The pressure compensator uses two springs to cover the full pressure range of the ADU pumps. The high pressure spring covers the range from 140 bar (2050 psi) to 280 bar (4060 psi). The low pressure spring is adjustable from minimum pressure through 140 bar (2050 psi).

Flow Compensator (Load Sense) Settings

There are three springs used to cover the load sense adjustment range of this control.



Typical Operating Curve



Dynamic Response per SAE J745 (Using Swash Plate Position)

	Response (off stroke)	Recovery (on stroke)	Load Sense Recovery
	msec	msec	msec
ADU041	20	75	90
ADU049	20	75	90
ADU062	25	90	115
ADU080	26	75	115

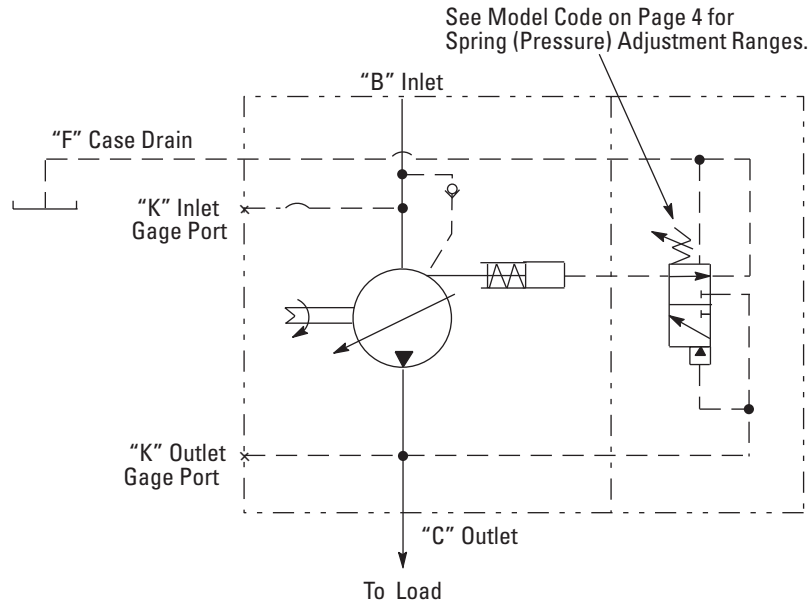
Control Options

Pressure Compensator

Pressure Compensator Control

The pump will provide a continuously modulated flow to meet changing load demands at a pre-adjusted compensator pressure. At pressures below the compensator setting, the pump will operate at maximum displacement. See model code on page 4 for compensator pressure ranges.

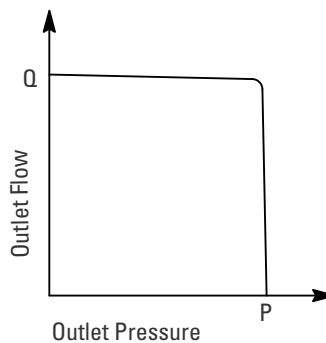
Warning: The pressure compensator may be adjusted beyond the rated pressure of the pump. When adjusting the pressure limiter, install a 0-350 bar (0-5000 psi) gage in the outlet gage port and limit the pressure setting to the continuous rated pressure for the pump displacement shown on page 6.



Pressure Limit Settings

The pressure compensator uses two springs to cover the full pressure range of the ADU pumps. The high pressure spring covers the range from 140 bar (2050 psi) to 280 bar (4060 psi). The low pressure spring is adjustable from minimum pressure through 140 bar (2050 psi).

Pressure Cut-off Characteristics of Pressure Compensator Control at 49°C (120°F), static conditions.



Dynamic Response per SAE J745 (Using Swash Plate Position)

	Response (off stroke) msec	Recovery (on stroke) msec
ADU041	20	75
ADU049	20	75
ADU062	25	90
ADU080	26	75

Control Options

Torque Control

Torque Control

The 420 Torque Control limits the power input to the pump preventing the engine from stalling while also optimizing the use of the engine power.

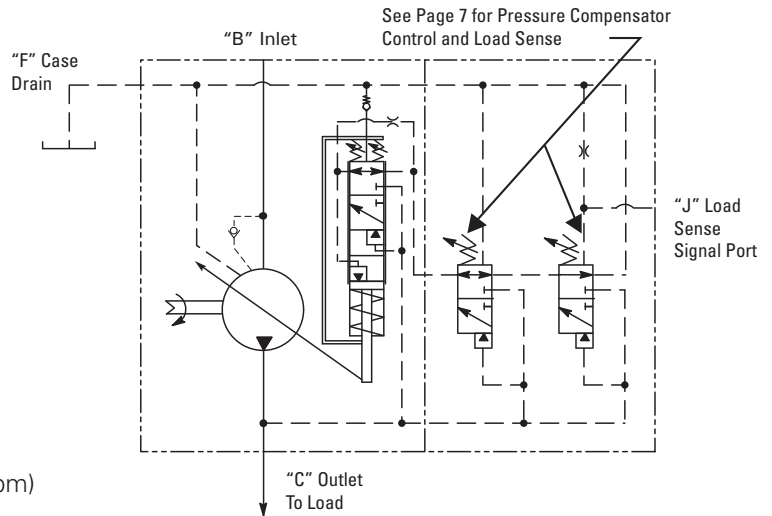
When combined with Pressure Compensator Control and/or Load Sense (refer to page 7) it will allow the 420 to remain inside the power envelope of the Pressure Flow curve. When the combination of pump flow and outlet pressure moves outside the envelope, the pump displacement will automatically be reduced.

This maximum setting is easily calculated using the following steps:

1. Select the 420 pump displacement you intend to use
2. Identify the available engine horsepower (HP) and speed (rpm)
3. Calculate the torque limit required by the system using the equations shown
4. Select the MAX torque setting from the table shown

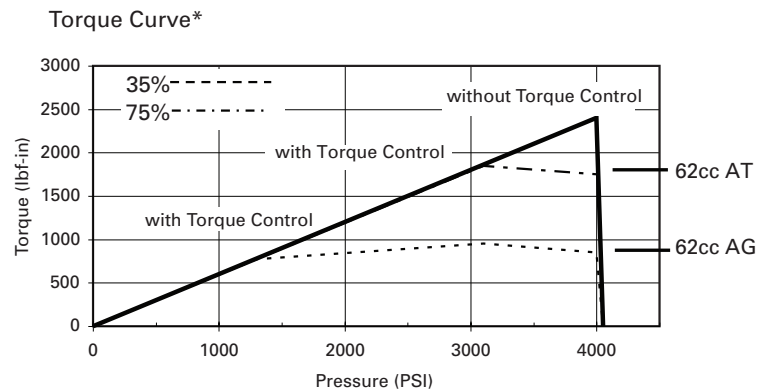
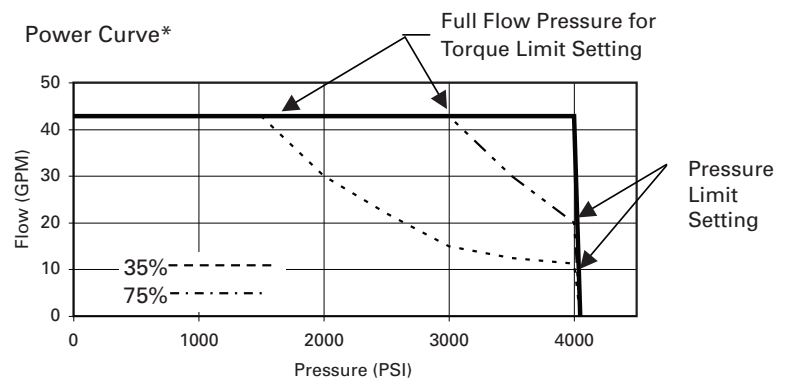
$$\text{Torque (in-lbs)} = \frac{\text{Horsepower (HP)} \times 63025}{\text{Engine RPM}}$$

$$\text{Torque (Nm)} = \frac{\text{Horsepower (KW)} \times 9550}{\text{Engine RPM}}$$



Code	Torque Setting	41cc	49cc	62cc	80cc
AA	40 Nm (350 in-lbs)	✓	✓	—	—
AB	51 Nm (450 in-lbs)	✓	✓	—	—
AC	62 Nm (550 in-lbs)	✓	✓	✓	—
AD	73 Nm (650 in-lbs)	✓	✓	✓	✓
AE	85 Nm (750 in-lbs)	✓	✓	✓	✓
AF	96 Nm (850 in-lbs)	✓	✓	✓	✓
AG*	107 Nm (950 in-lbs)	✓	✓	✓	✓
AH	119 Nm (1050 in-lbs)	—	✓	✓	✓
AJ	130 Nm (1150 in-lbs)	—	✓	✓	✓
AK	141 Nm (1250 in-lbs)	—	✓	✓	✓
AL	153 Nm (1350 in-lbs)	—	—	✓	✓
AM	164 Nm (1450 in-lbs)	—	—	✓	✓
AN	175 Nm (1550 in-lbs)	—	—	✓	✓
AP	186 Nm (1650 in-lbs)	—	—	✓	✓
AR	198 Nm (1750 in-lbs)	—	—	✓	✓
AT*	209 Nm (1850 in-lbs)	—	—	✓	✓
AU	220 Nm (1950 in-lbs)	—	—	✓	✓

* reference 62cc



Control Options

EH Inverse Proportional Pressure Control (IPPC)

EH Inverse Proportional Pressure Control (IPPC)

The EH Inverse Proportional Pressure control allows for stepless variation of the max pump output pressure, as per the current signal provided to the control valve solenoid.

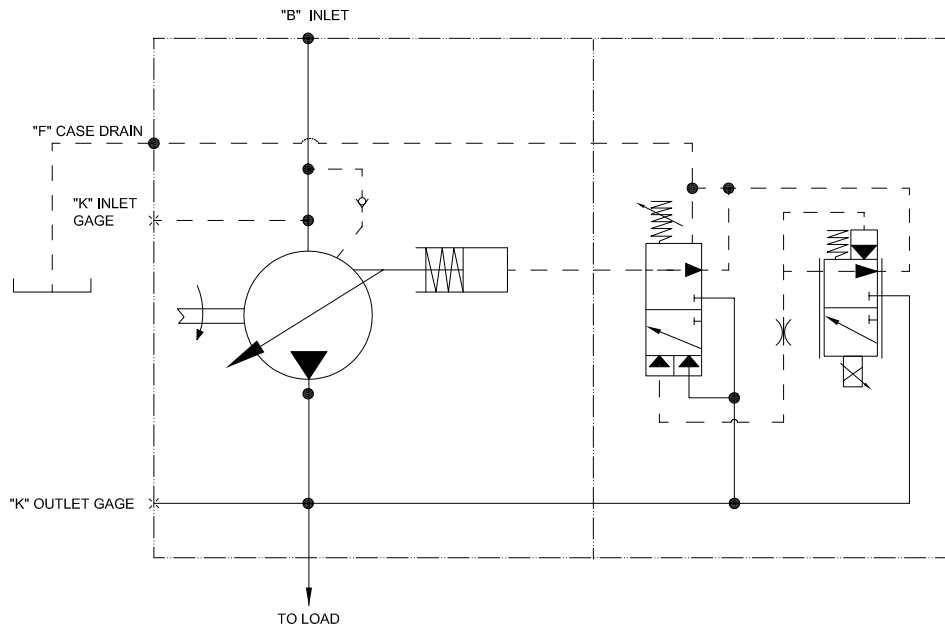
The integrated pump control makes use of an external current signal to vary the pump output pressure.

This control has an inverse proportional characteristic i.e. with increasing current signal, the max output pressure is proportionately reduced.

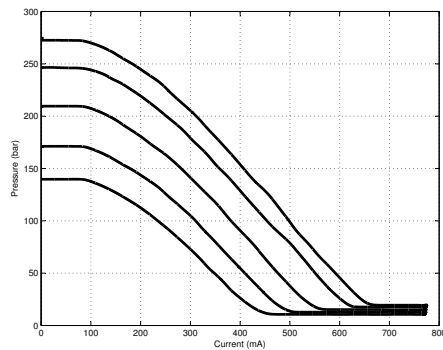
Warning: The pressure setting may be adjusted beyond the rated pressure of the pump. When adjusting the pressure, install a 0-350 bar (0-5000 psi) gage in the outlet gage port and limit the pressure setting to the continuous rated pressure for the pump displacement shown on page 6.

Pressure Limit Settings

The EH IPPC covers pressure range of the ADU pumps. The max pressure can be set from 140 bar (2050 psi) to 280 bar (4060 psi).



Typ. Current vs Pressure Characteristics of IPPC at 1800 rpm at various max pressure settings at 49 deg C (120deg F), static conditions.



ELECTRICAL DATA

	12 V	24 V
Max Current	1500 mA	750 mA
R20, Resistance(ohm)	5.3 +/- 5%	21.2 +/- 5%
Type of Control	Current	Current
Recommended PWM Control Frequency	100 Hz	100 Hz
Duty Cycle	100%	100%
Insulation material	Class H, 180 deg C	Class H, 180 deg C
Protection Class	IP6K6/IPX9K	IP6K6/IPX9K
Connector	AMP Junior Power Timer/ Deutsch Connector DT04-2P	AMP Junior Power Timer/ Deutsch Connector DT04-2P
Operating Temperature	-30 deg C; 105 deg C	-30 deg C; 105 deg C

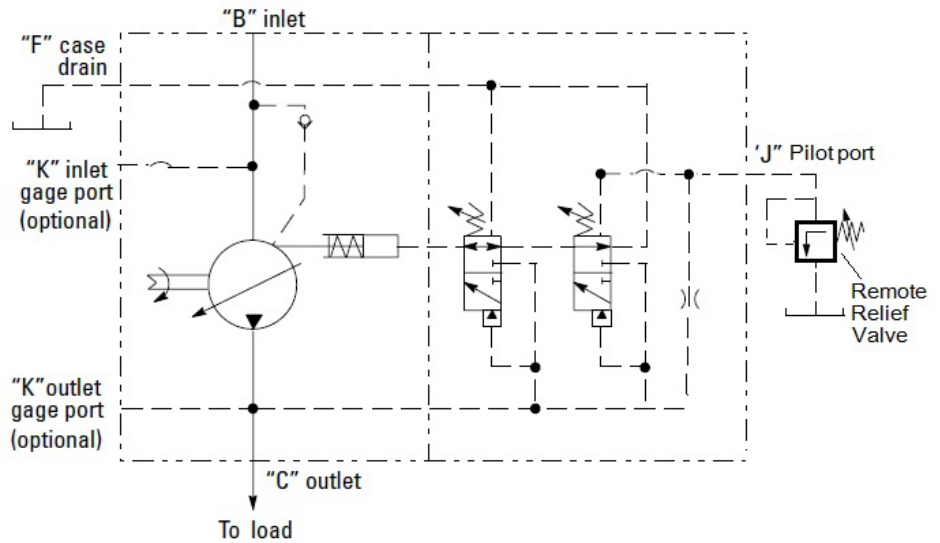
Control Options

Remote Pressure Control

Remote Pressure Control

Remote relief valve is to be connected to pilot port "J" through necessary external piping. Standard differential pressure of 20 bar is set at RPC spool. The required outlet pressure (below 280 bar) can be set by adjusting remote relief valve setting. Once pressure reaches pre-set value, flow across remote relief valve starts, this results in RPC spool movement due to pressure imbalance. This will de-stroke the pump to maintain the set pressure.

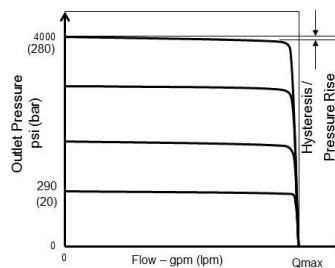
Secondary pressure compensator is provided to limit the max pressure setting as a fail safe measure. The delta pressure is factory set which can not be changed.



* **Flow Compensator is not available with RPC.**

* **Flow Compensator/ Remote Pressure Control setting should be selected within range of 10-24 bar (140-350 psi).**

* **Remote relief valve is not included in supply scope of the pump.**



Delta Pressure setting at control valve - bar (psi)	14 - 24 (200 - 350)
Control fluid consumption - lpm (gpm)	4.5 (1.2) max.
Recommended flow rating of remote relief valve- lpm (gpm)	3 - 5 (0.8 - 1.32)
Recommended Eaton Relief Valve part number	RV5-10-S-0-50

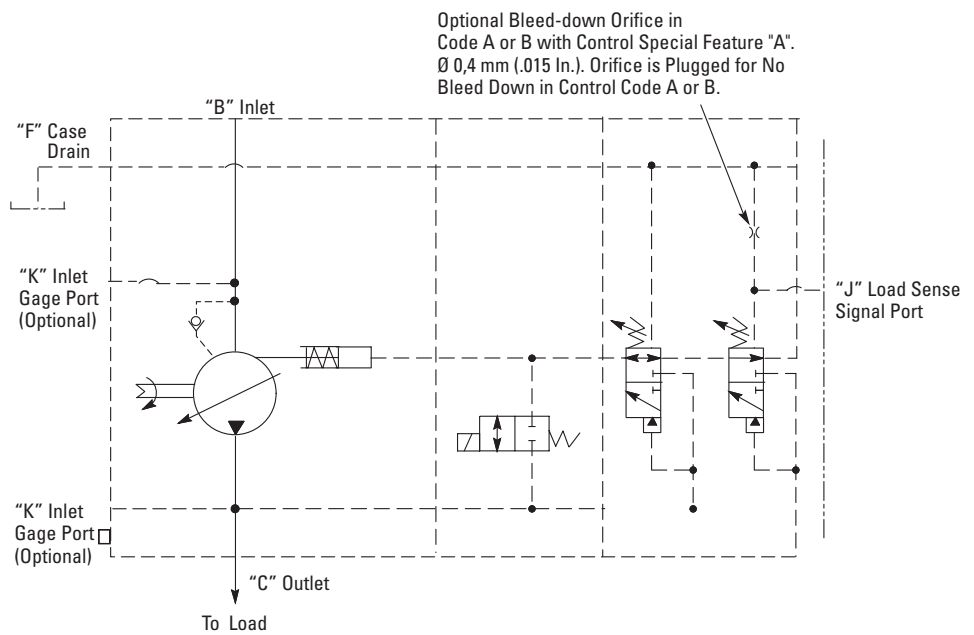
Control Options

Cold Start Valve

Cold Start Valve

The 420 Cold Start Valve reduces pump start-up torque by directing control pressure to the outlet.

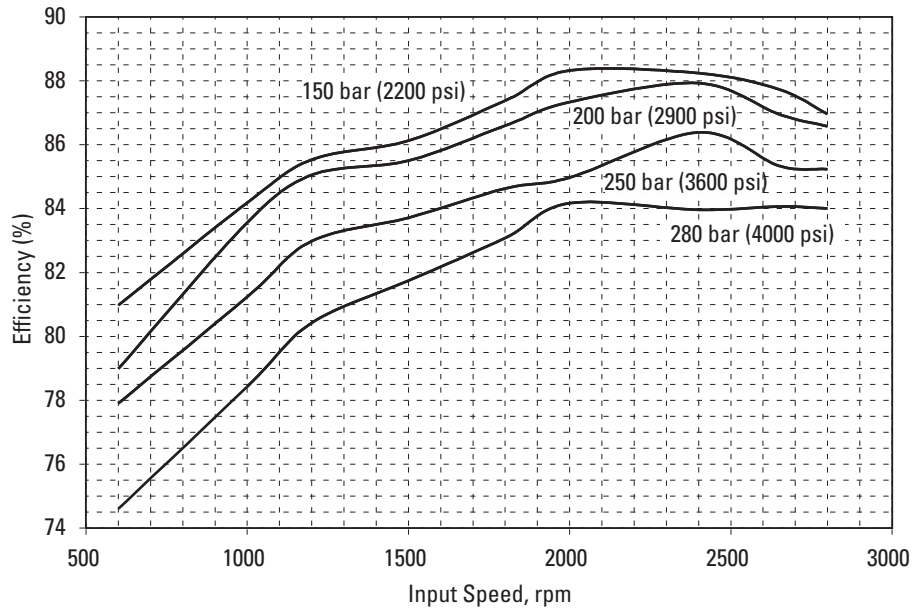
It is primarily used in cold weather applications and includes a 12 or 24 VDC directional control valve mounted between the pump housing and compensator.



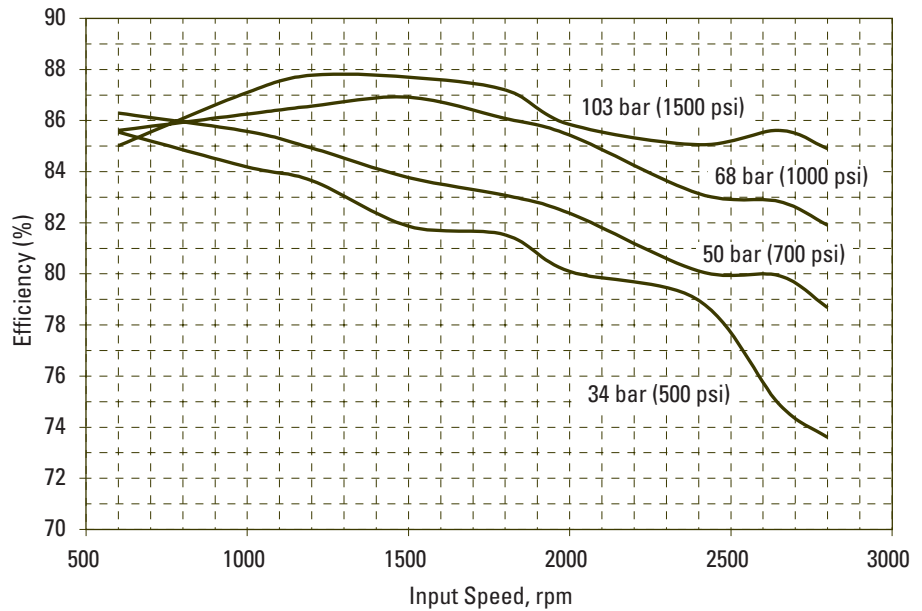
Performance

ADU041

Overall Efficiency Versus Speed @ 49° C (120° F), Full Flow, and 1.0 bar (0 psi) Inlet



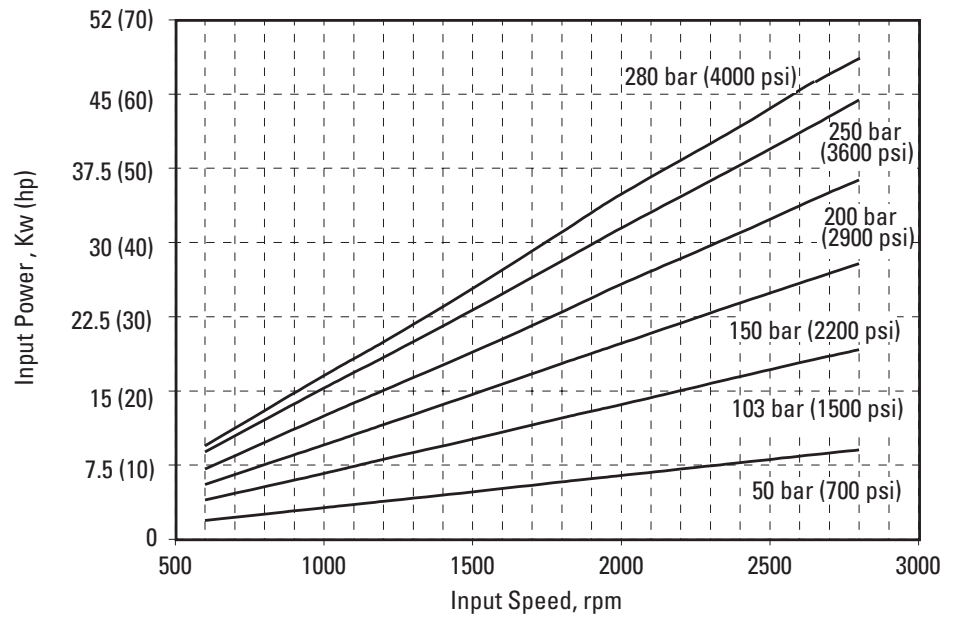
Overall Efficiency Versus Speed @ 49° C (120° F), Full Flow, and 1.0 bar (0 psi) Inlet



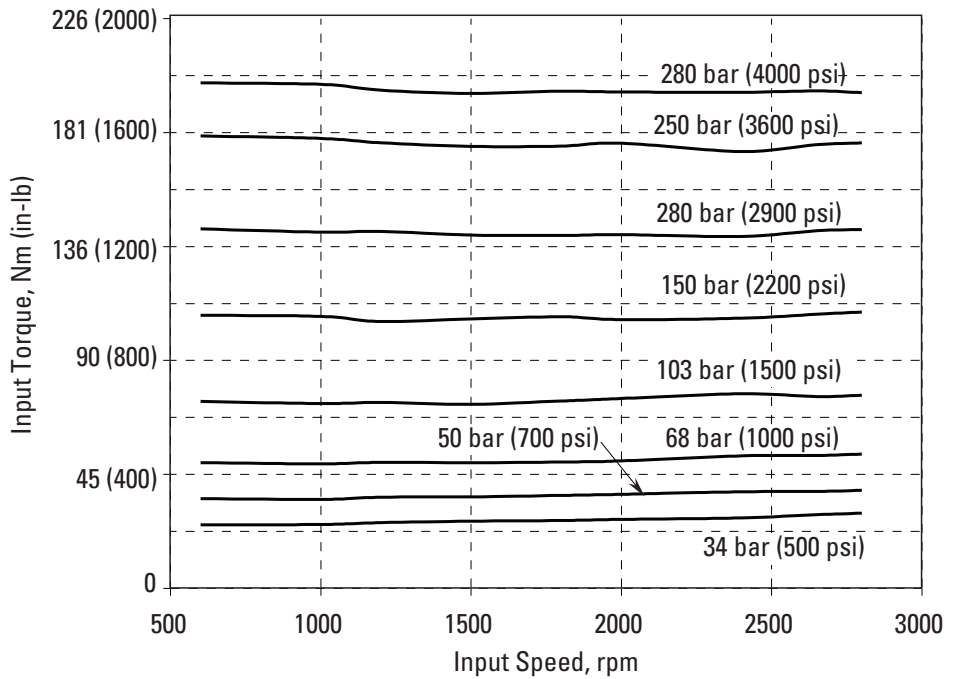
Performance

ADU041

Input Power Versus Speed
 @ 49° C (120° F), Full Flow,
 and 1.0 bar (0 psi) Inlet



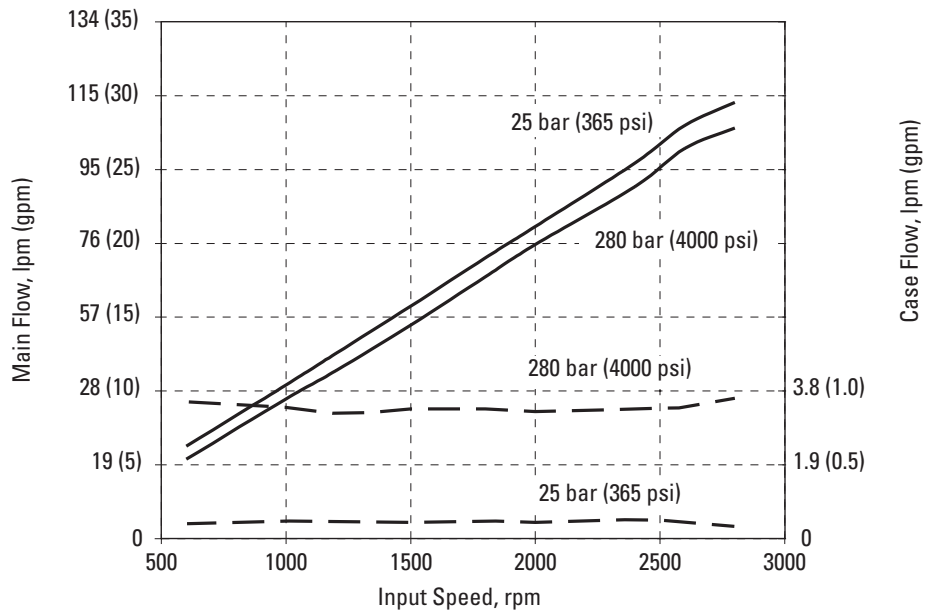
Input Torque Versus Speed
 @ 49° C (120° F), Full Flow,
 and 1.0 bar (0 psi) Inlet



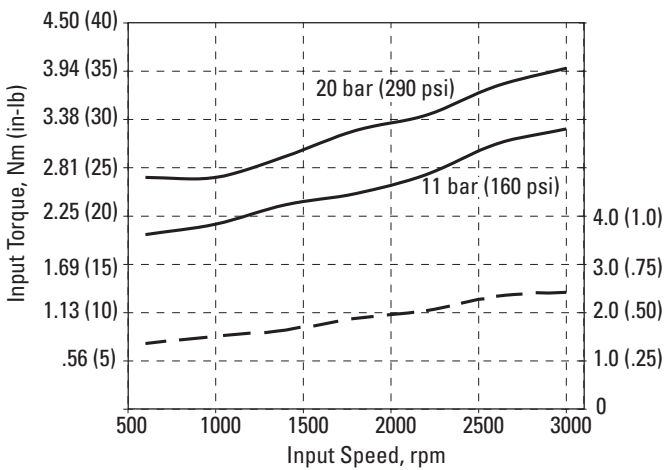
Performance

ADU041

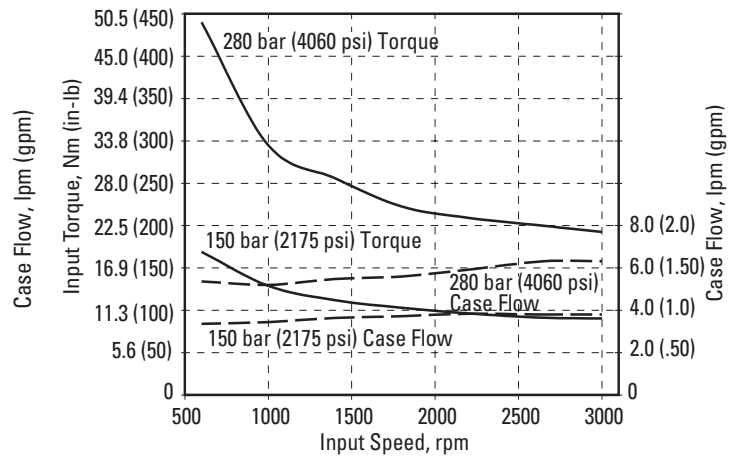
Delivery and Case Flow Versus Speed @ 49° C (120° F)



Input Torque and Case Flow Stand-by @ 49° C (120° F)



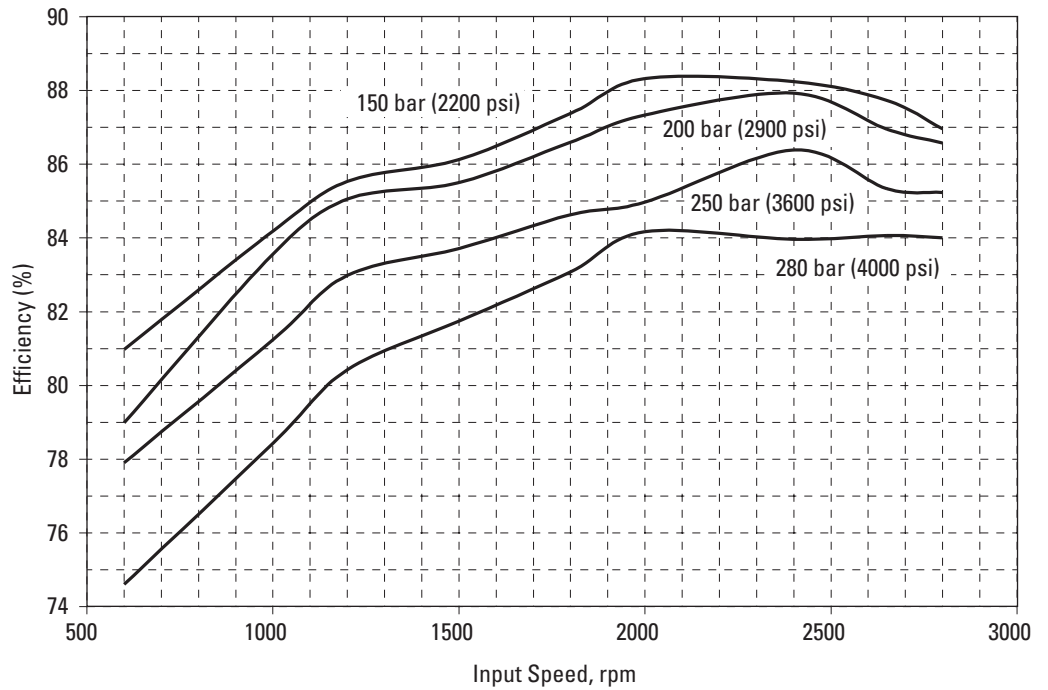
Input Torque and Case Flow Cut-off @ 49° C (120° F)



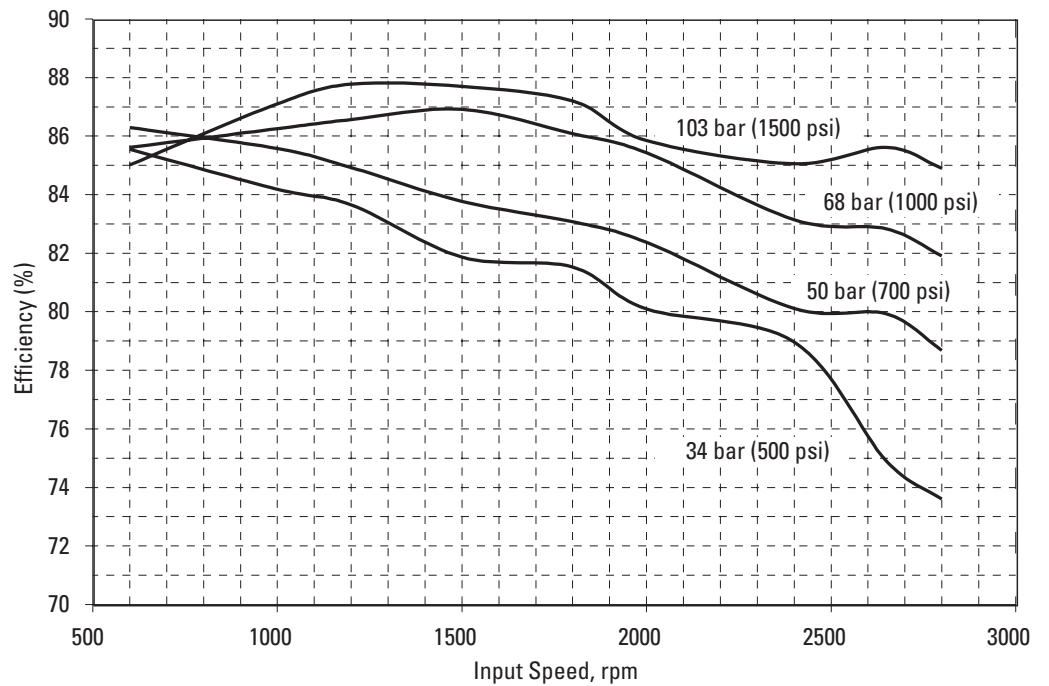
Performance

ADU049

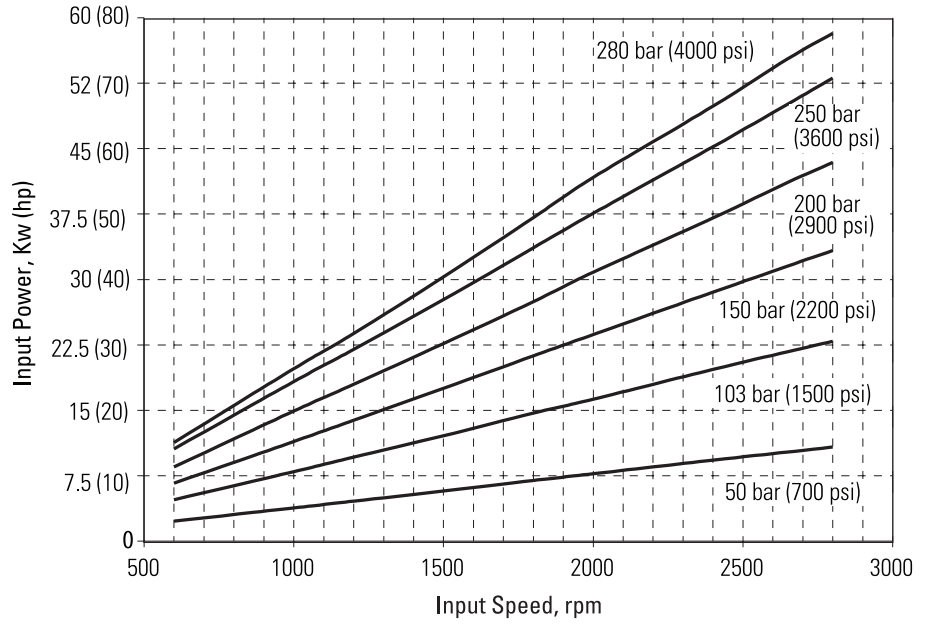
Overall Efficiency Versus Speed @ 49° C (120° F), Full Flow, and 1.0 bar (0 psi) Inlet



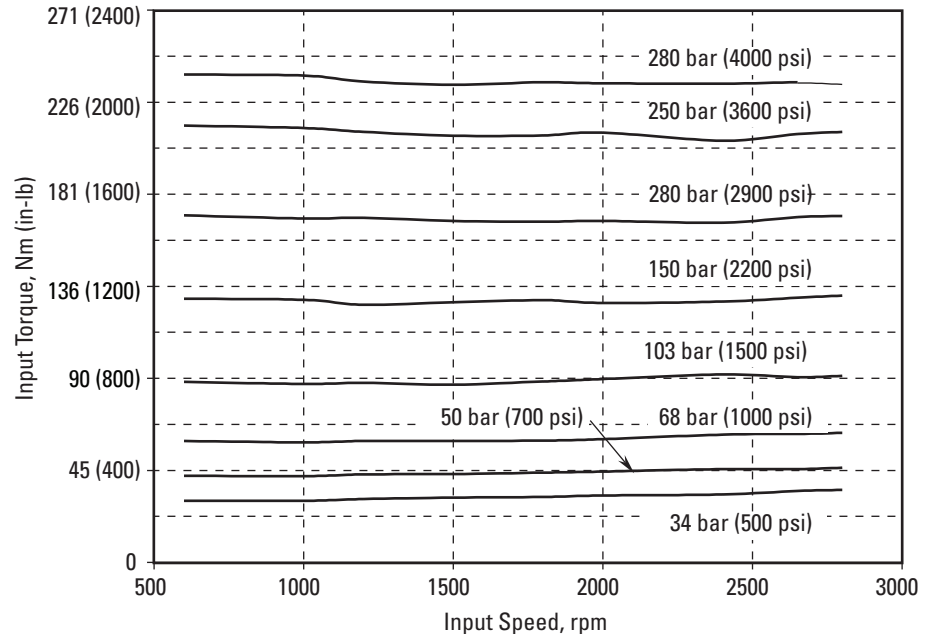
Overall Efficiency Versus Speed @ 49° C (120° F), Full Flow, and 1.0 bar (0 psi) Inlet



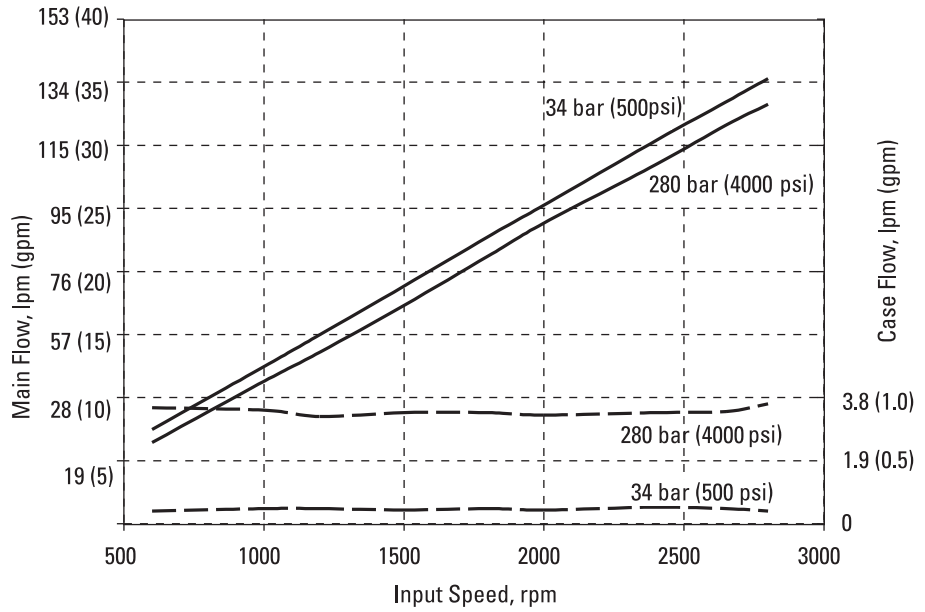
Input Power Versus Speed
 @ 49° C (120° F), Full Flow,
 and 1.0 bar (0 psi) Inlet



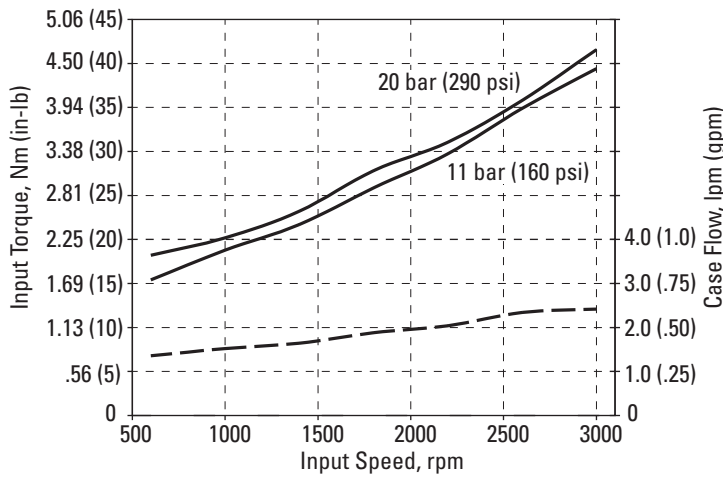
Input Torque Versus Speed
 @ 49° C (120° F), Full Flow,
 and 1.0 bar (0 psi) Inlet



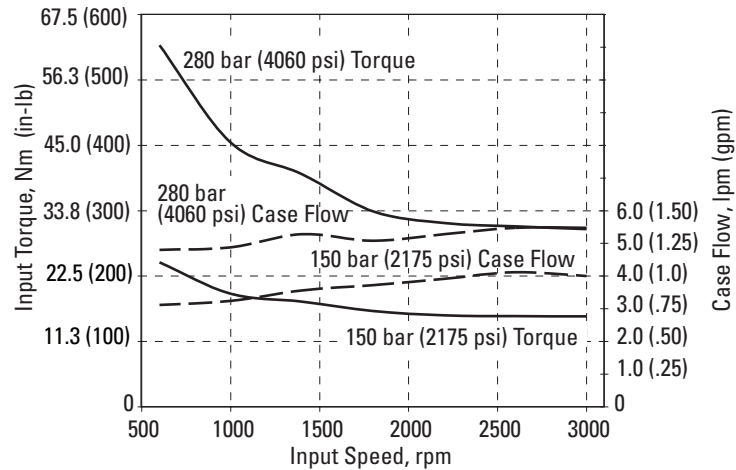
Delivery and Case Flow Versus Speed @ 49° C (120° F)



Input Torque and Case Flow Stand-by @ 49° C (120° F)



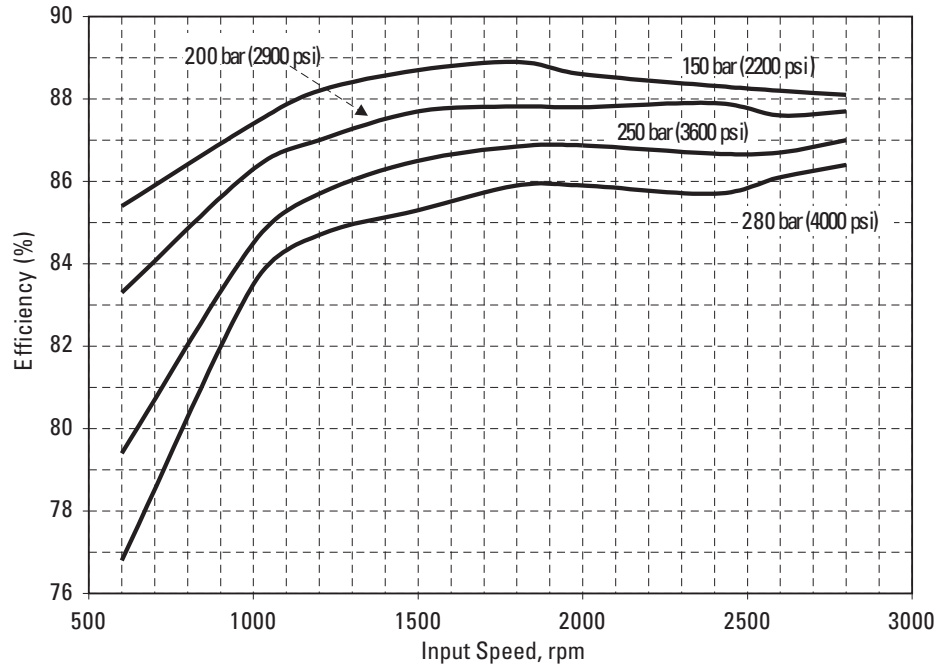
Input Torque and Case Flow Cut-off @ 49° C (120° F)



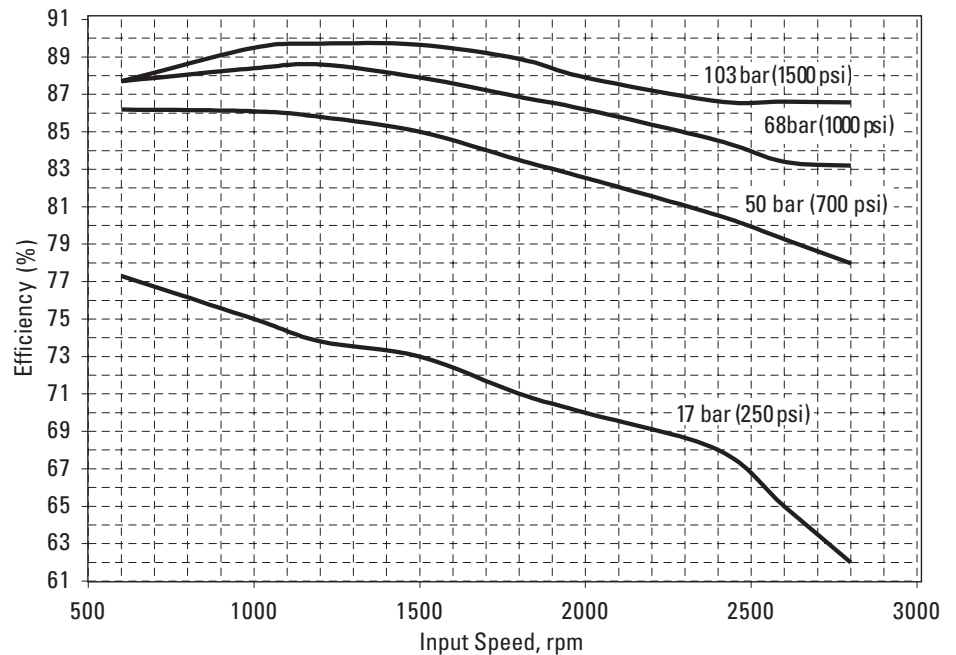
Performance

ADU062

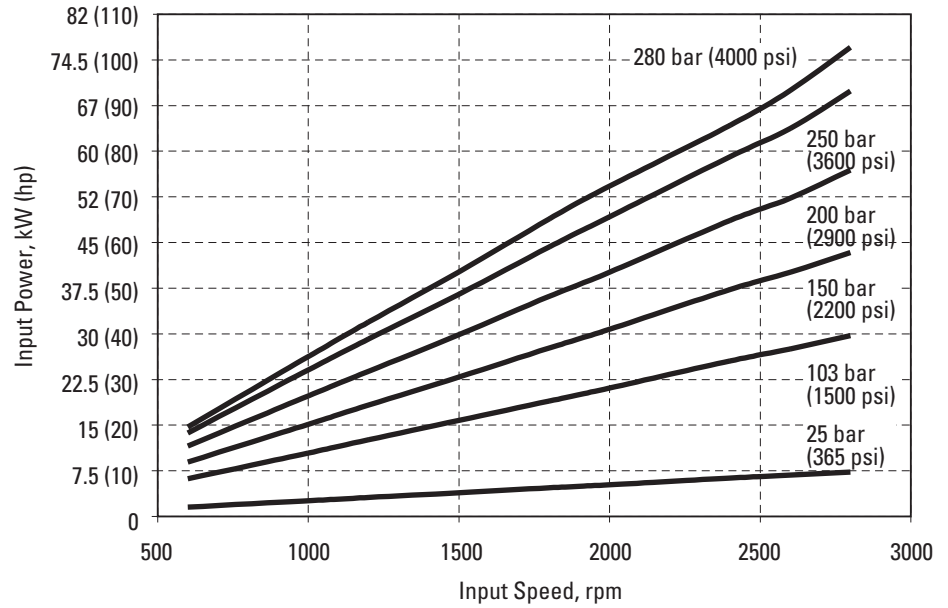
Overall Efficiency Versus Speed @ 49° C (120° F), Full Flow, and 1.0 bar (0 psi) Inlet



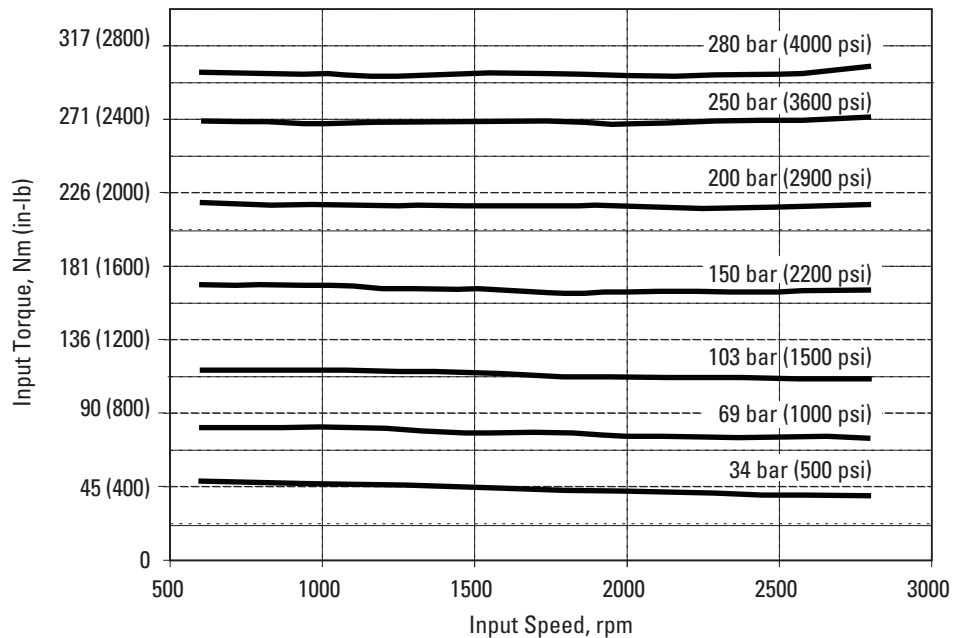
Overall Efficiency Versus Speed @ 49° C (120° F), Full Flow, and 1.0 bar (0 psi) Inlet



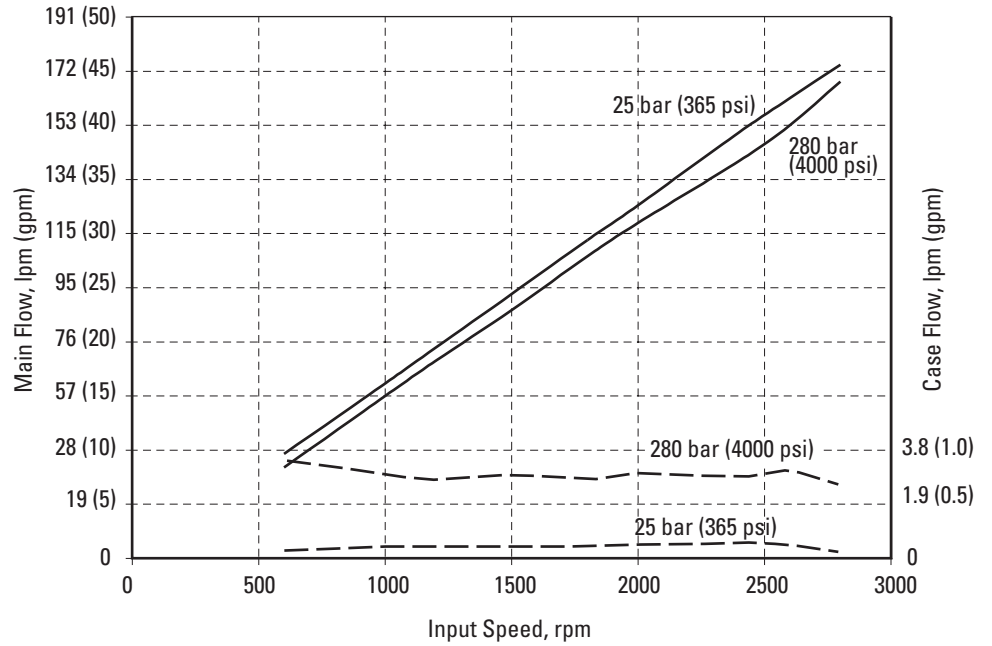
Input Power Versus Speed
 @ 49° C (120° F), Full Flow,
 and 1.0 bar (0 psi) Inlet



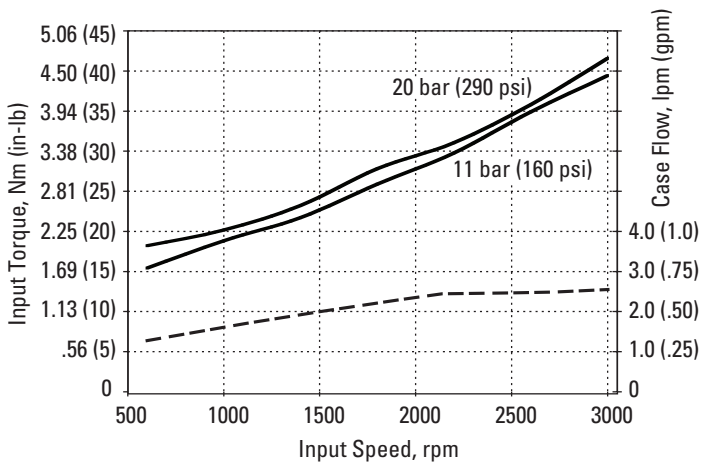
Input Torque Versus Speed
 @ 49° C (120° F), Full Flow,
 and 1.0 bar (0 psi) Inlet



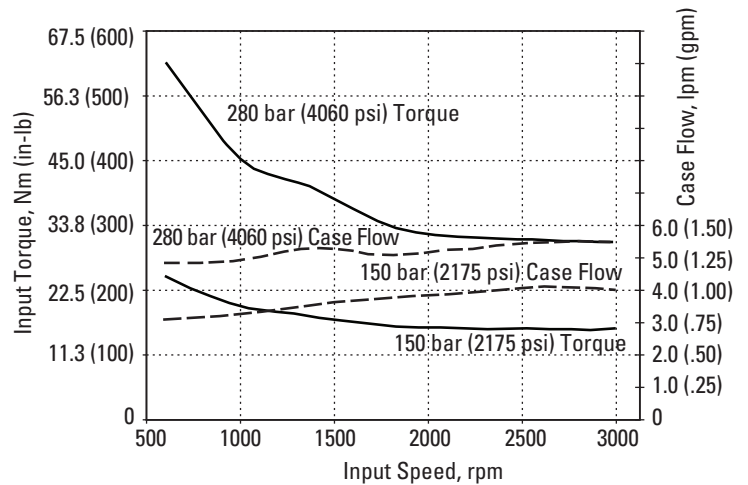
Delivery and Case Flow Versus Speed @ 49° C (120° F)



Input Torque and Case Flow Stand-by @ 49° C (120° F)



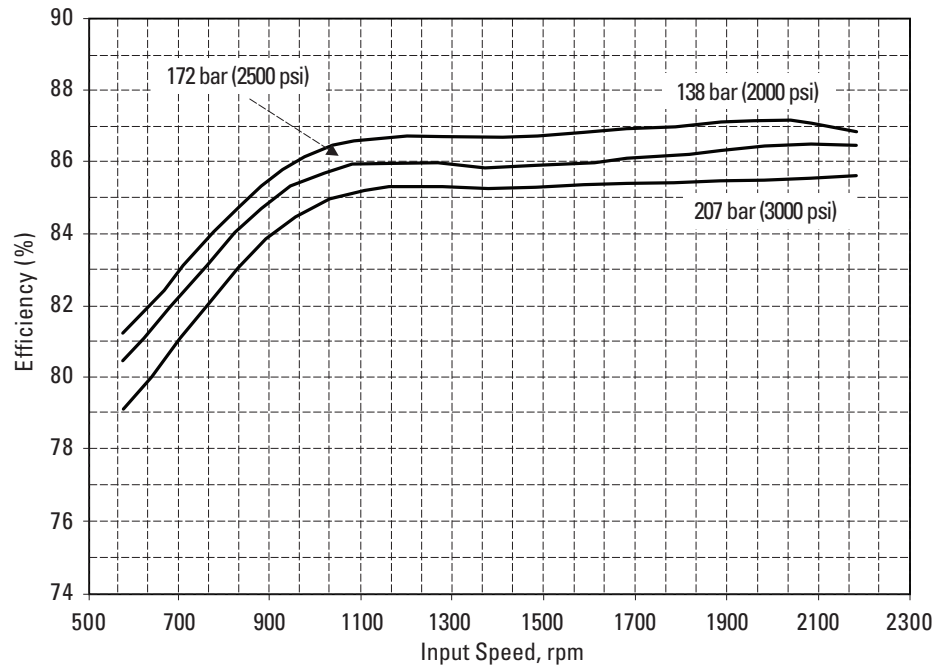
Input Torque and Case Flow Cut-off @ 49° C (120° F)



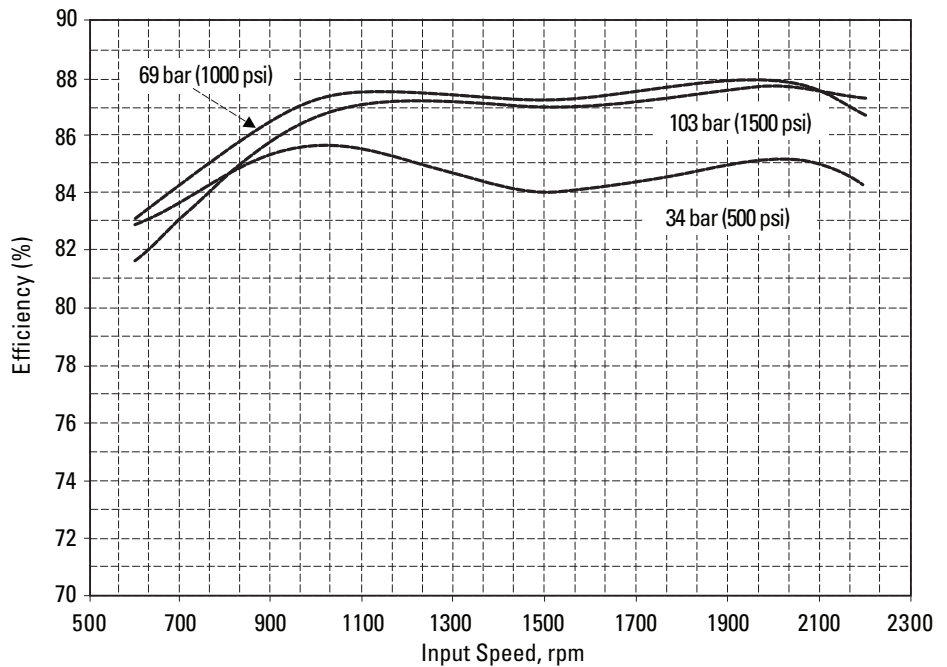
Performance

ADU080

**Input Power Versus Speed
@ 49° C (120° F), Full Flow,
and 1.0 bar (0 psi) Inlet**



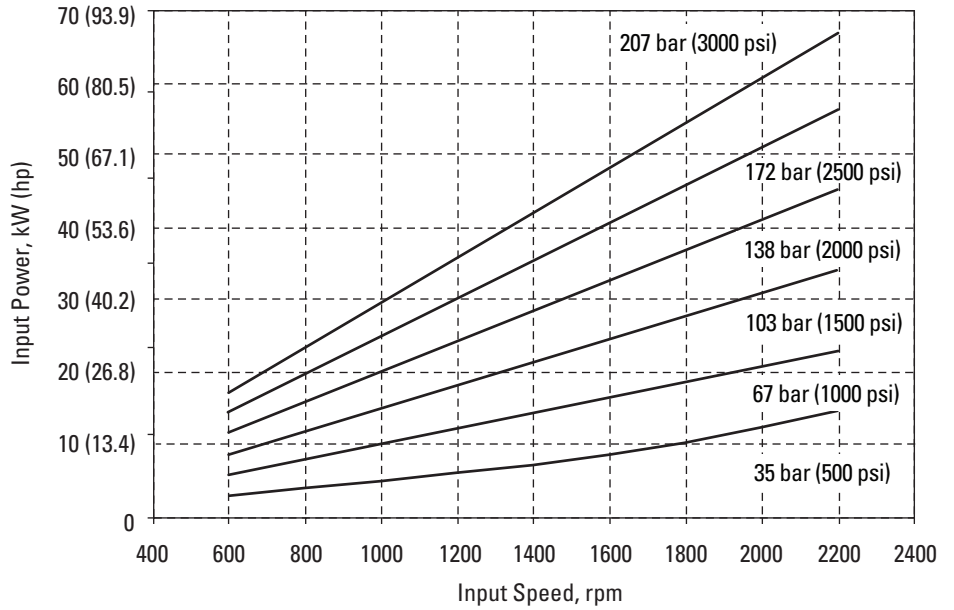
**Overall Efficiency Versus
Speed @ 49° C (120° F),
Full Flow, and 1.0 bar
(0 psi) Inlet**



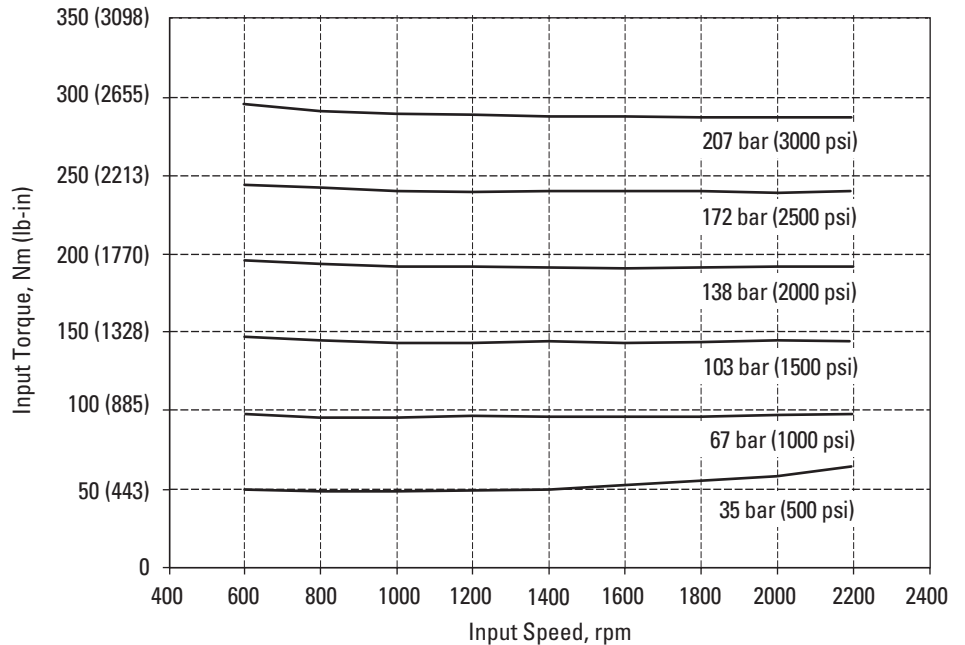
Performance

ADU080

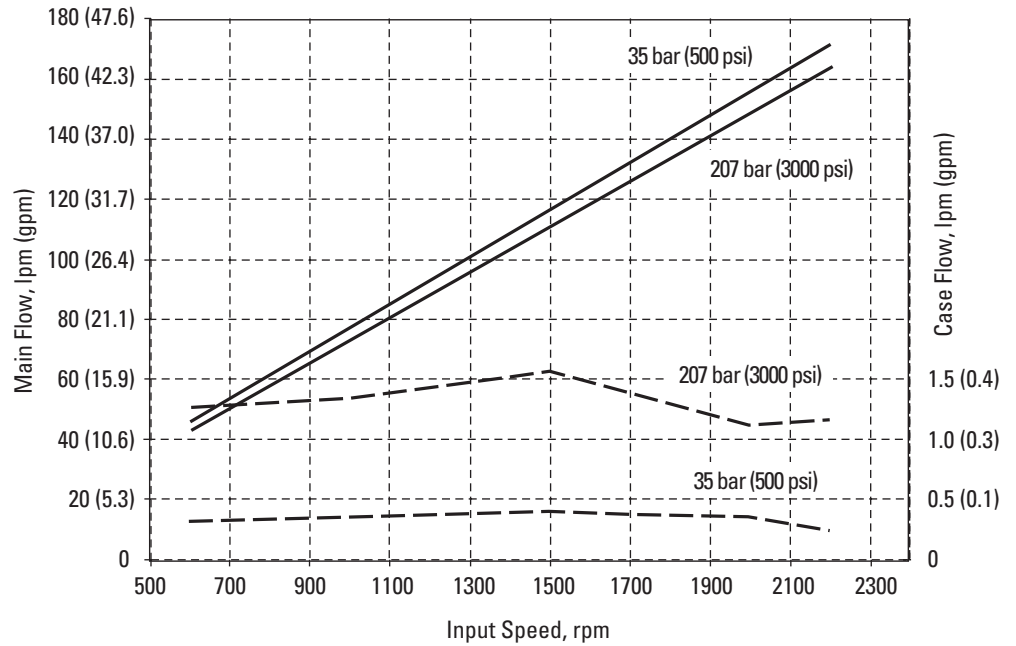
Input Power Versus Speed
 @ 49° C (120° F), Full Flow,
 and 1.0 bar (0 psi) Inlet



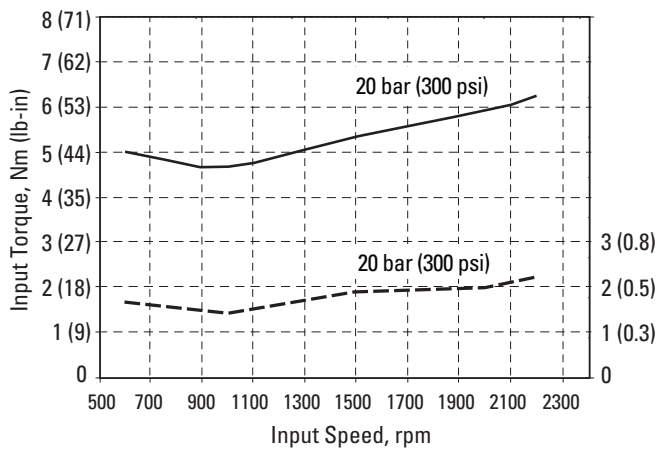
Input Torque Versus Speed
 @ 49° C (120° F), Full Flow,
 and 1.0 bar (0 psi) Inlet



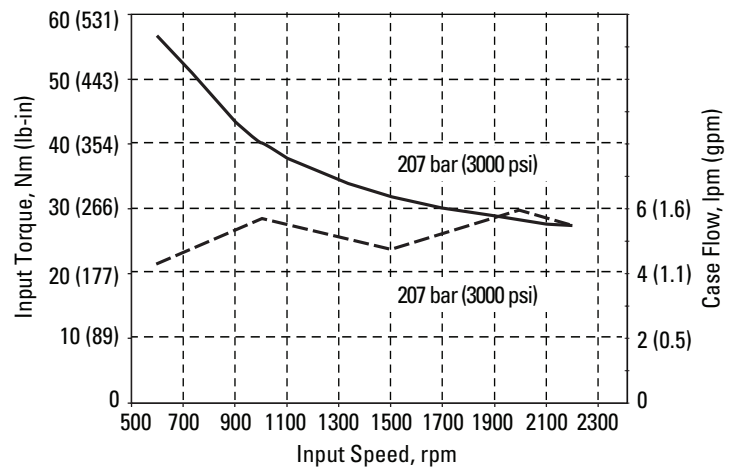
Delivery and Case Flow Versus Speed @ 49° C (120° F)



Input Torque and Case Flow Stand-by @ 49° C (120° F)



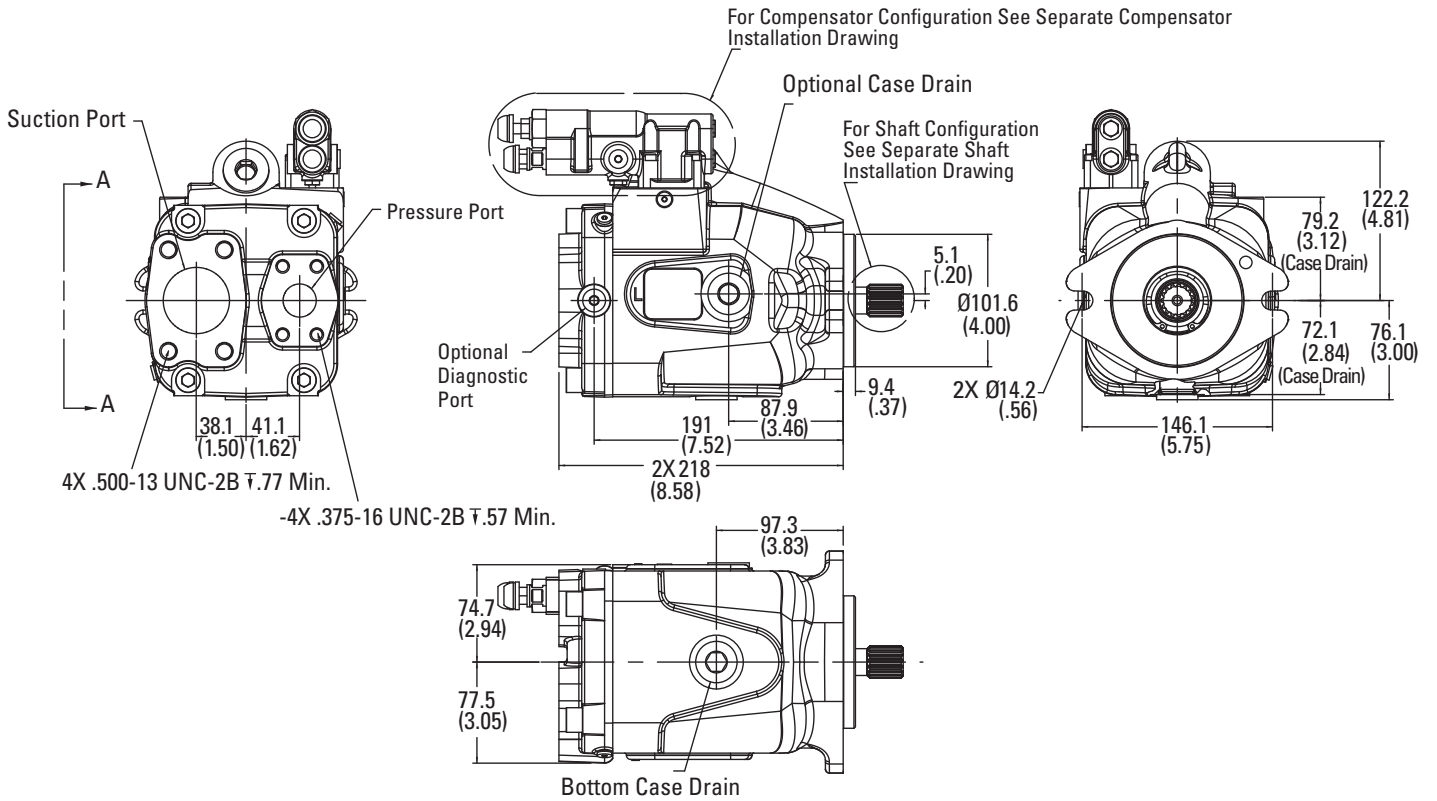
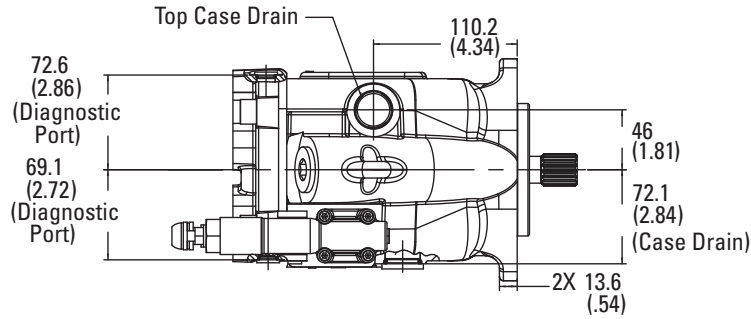
Input Torque and Case Flow Cut-off @ 49° C (120° F)



Pump Installation

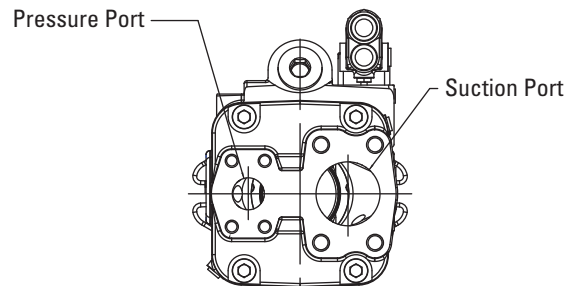
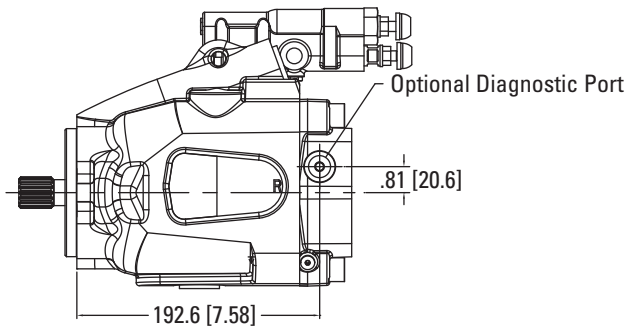
B-mount / Rear-ported

RH Rotation



View A - A

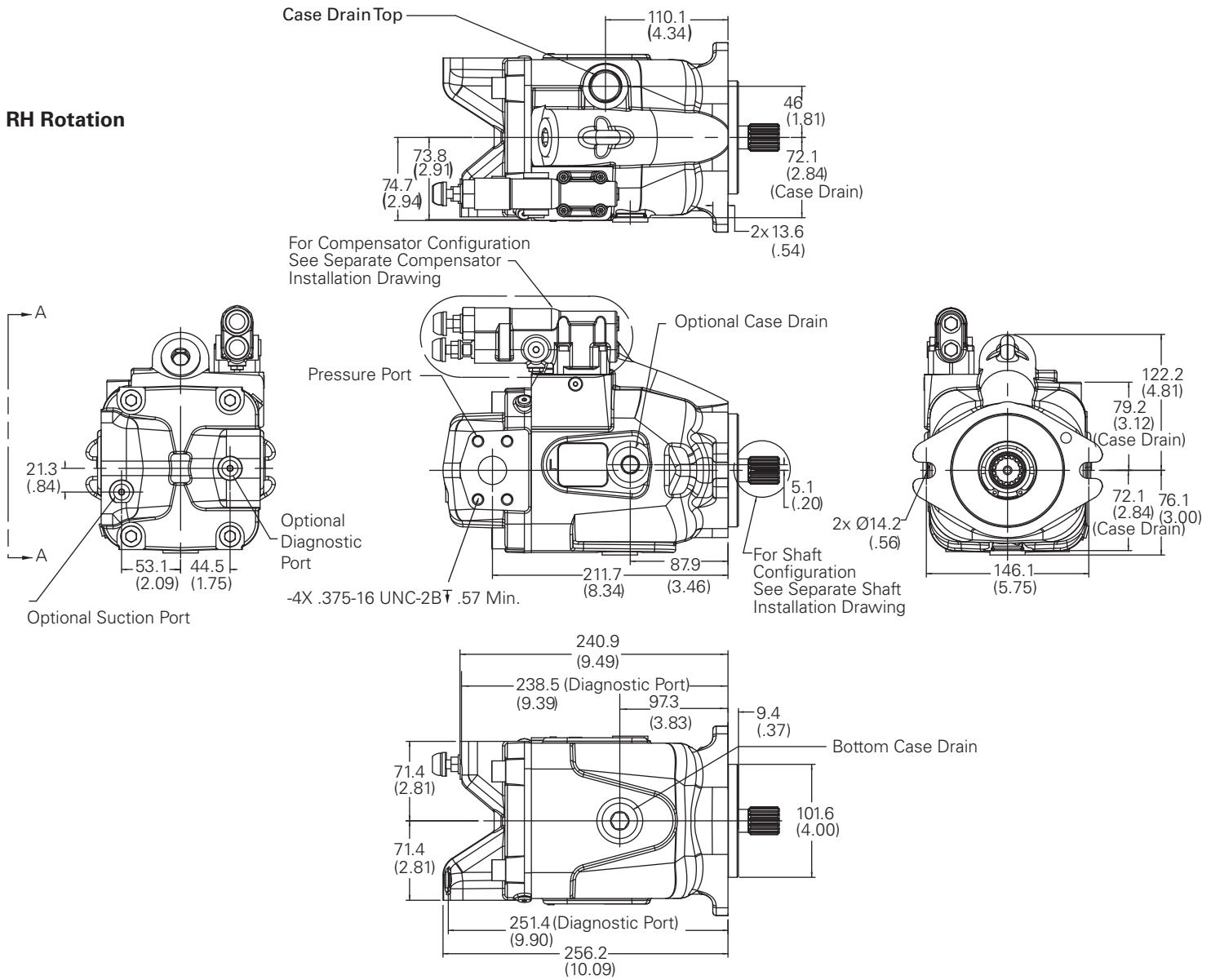
LH Rotation



Pump Installation

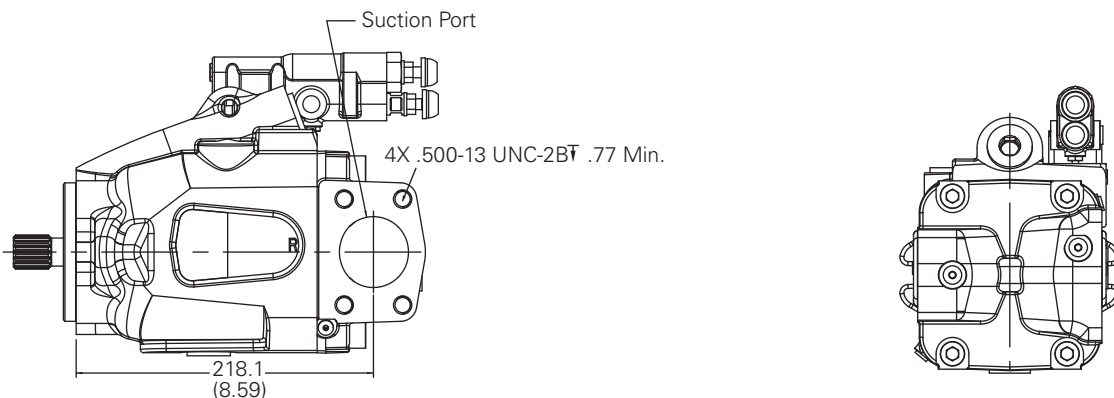
B-mount / Side-ported

RH Rotation



View A - A

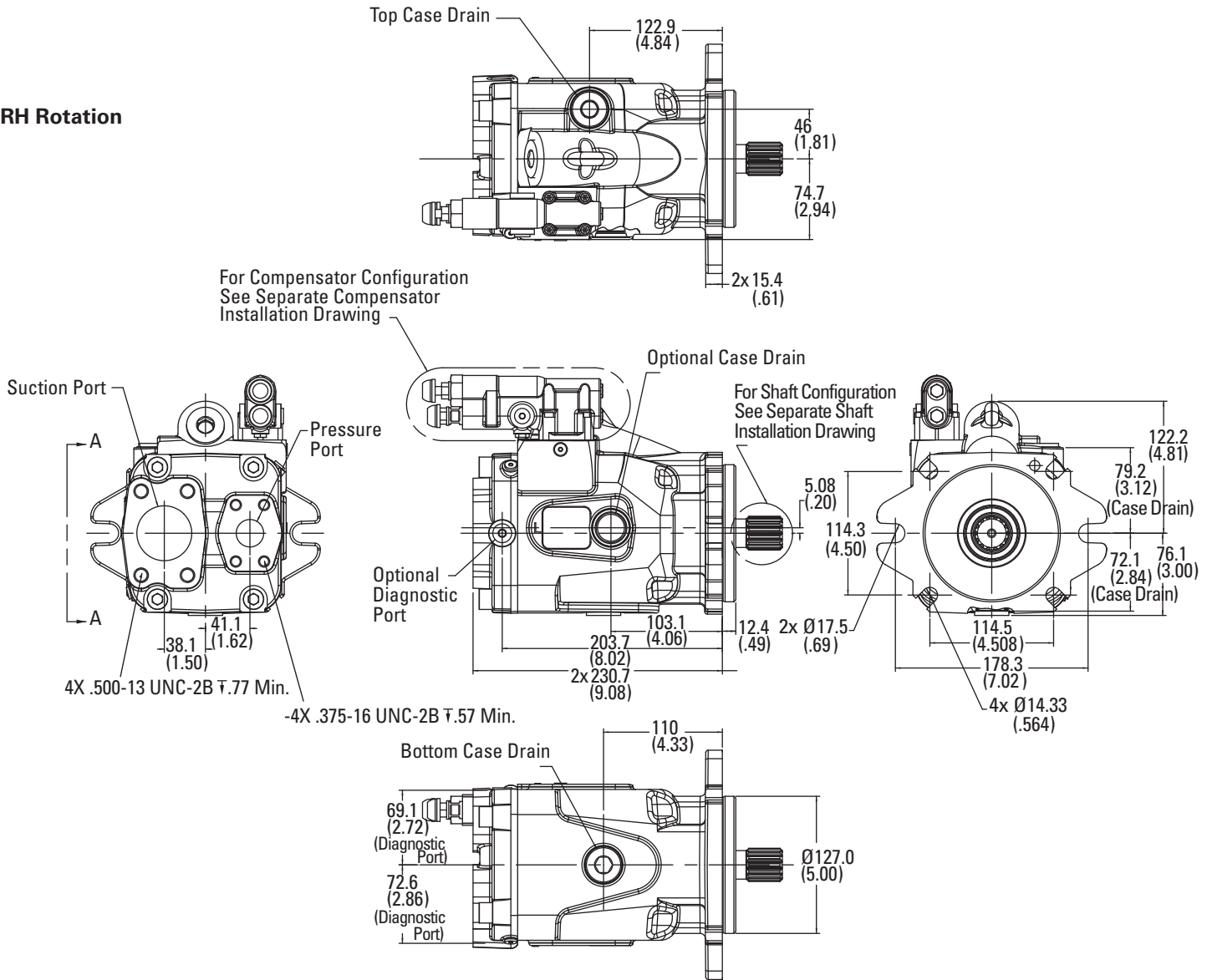
LH Rotation



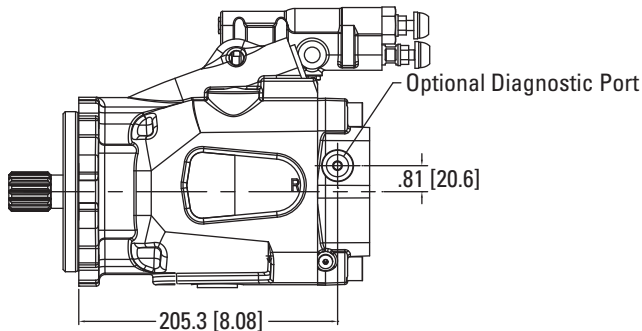
Pump Installation

C-mount / Rear-ported

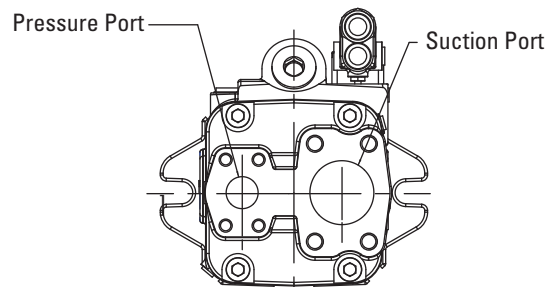
RH Rotation



View A - A



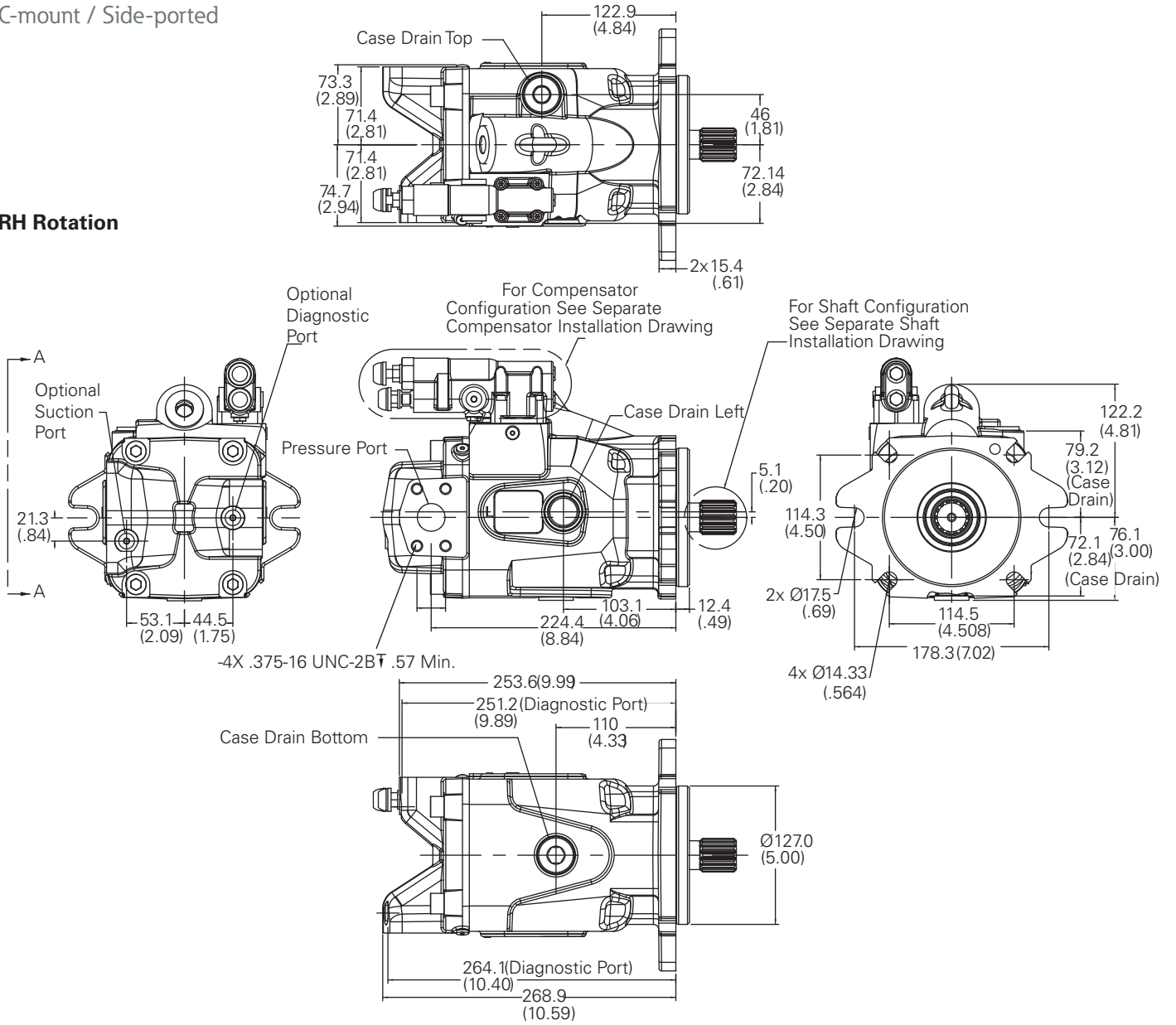
LH Rotation



Pump Installation

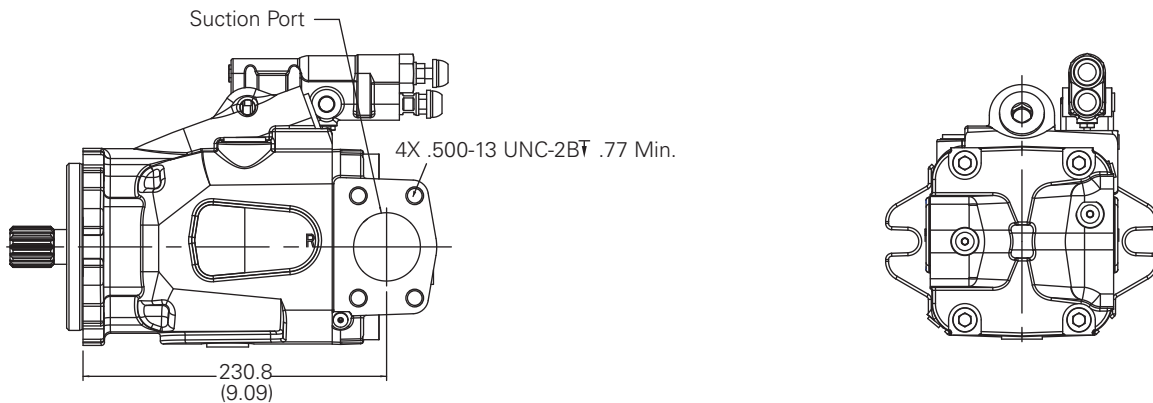
C-mount / Side-ported

RH Rotation



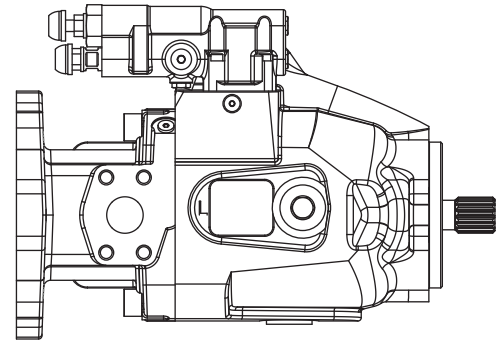
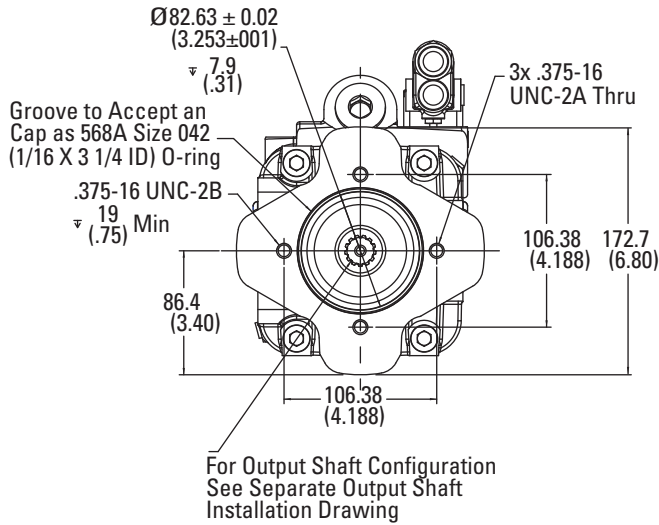
View A - A

LH Rotation

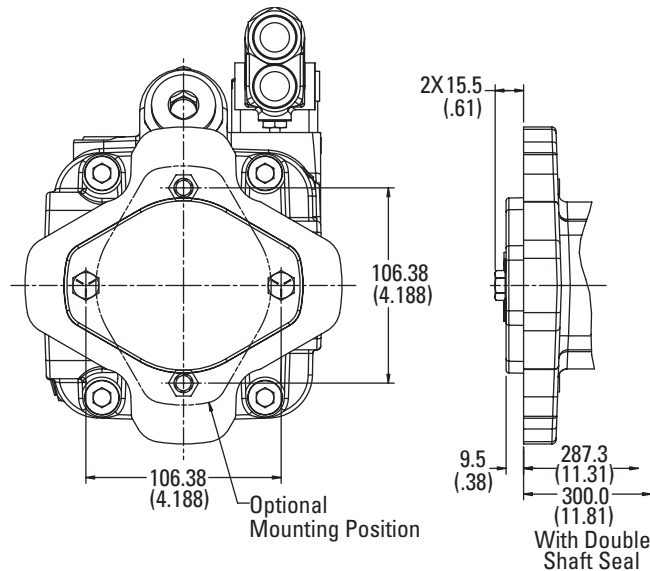


Pump Installation

Thru-Drive SAE A



A Thru-Drive Cover Plate Installation

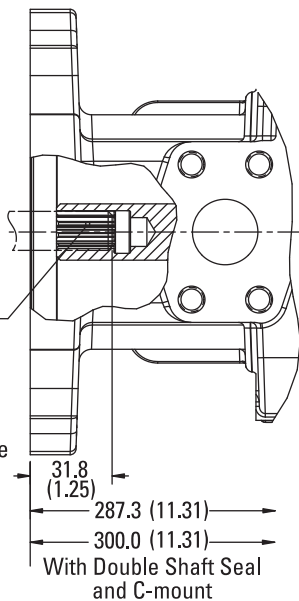


Output Shaft Installation 9T Spline

Maximum Torque

75 Nm (660 in-lbf)

$\text{Ø}16.54$ (.651) 9 Tooth 30° Flat Root Side Fit 16/32 Class 5 Internal Spline per ANSI B92.1
 Accepts 9 Tooth 30° Flat Root Side Fit 16/32 External Splines per SAE J498b Class 1 or ANSI B92.1 Class 5 with 31.8 (1.25) Extension From Mounting Flange
 Additional Units Drive by This Spline Must Not Require More Than 74.6 N-m (55 Lbf-ft) of Torque

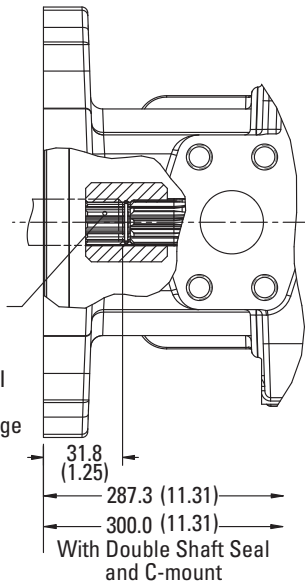


Output Shaft Installation 11T Spline

Maximum Torque

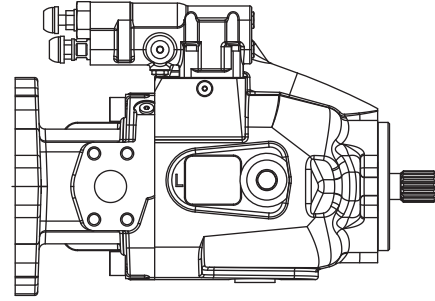
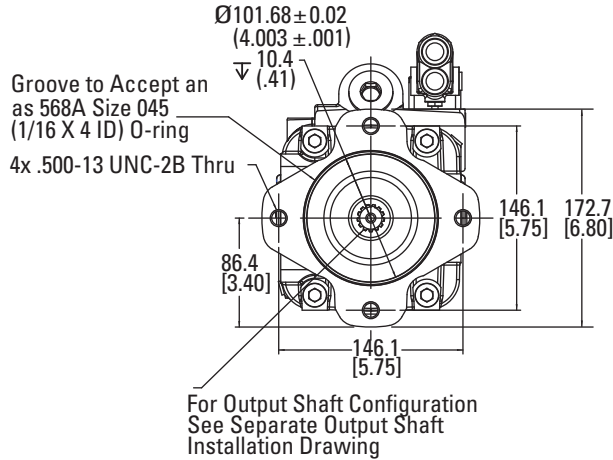
119 Nm (1056 in-lbf)

$\text{Ø}19.33$ (.761) 11 Tooth 30° Flat Root Side Fit 16/32 Class 1 Internal Spine per SAE J498B
 Accepts 11 Tooth 30° Flat Root Side Fit 16/32 External Splines per SAE J498B Class 1 or ANSI B92.1 Class 5 with 31.8 (1.25) Extension From Mounting Flange
 Additional Units Driven by This Spline Must Not Require More Than 118.6 N-m (88 Lbf-ft) of Torque

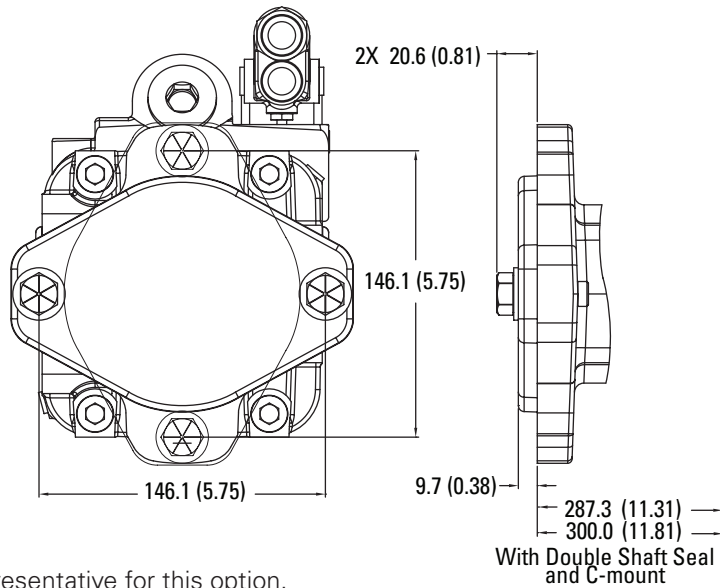


Pump Installation

Thru-Drive SAE B



B Thru-Drive Cover Plate Installation*

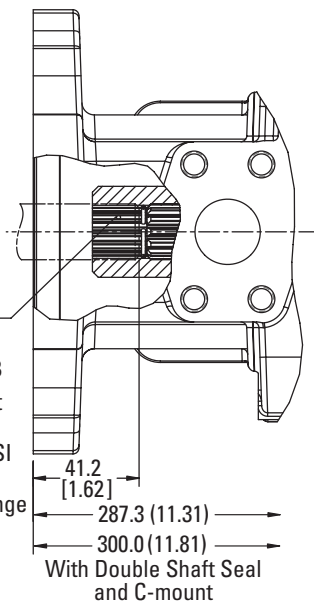


* Contact your Eaton Representative for this option.

Output Shaft Installation 13T Spline

Maximum Torque
209 Nm (1850 in-lbf)

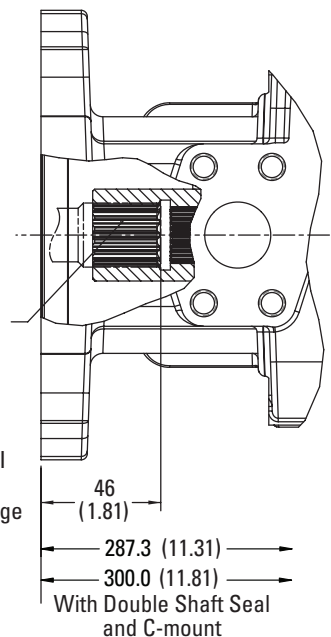
$\text{Ø}22.5$ (.886) 13 Tooth 30° Flat
 Root Side Fit 16/32 Class 1
 Internal Spline Per SAE J498B
 Accepts 13 Tooth 30° Flat Root
 Side Fit 16/32 External Splines
 Per SAE J498B Class 1 or ANSI
 B92.1 Class 5 with 41.2 (1.62)
 Extension From Mounting Flange



Output Shaft Installation 15T Spline

Maximum Torque
337 Nm (2987 in-lbf)

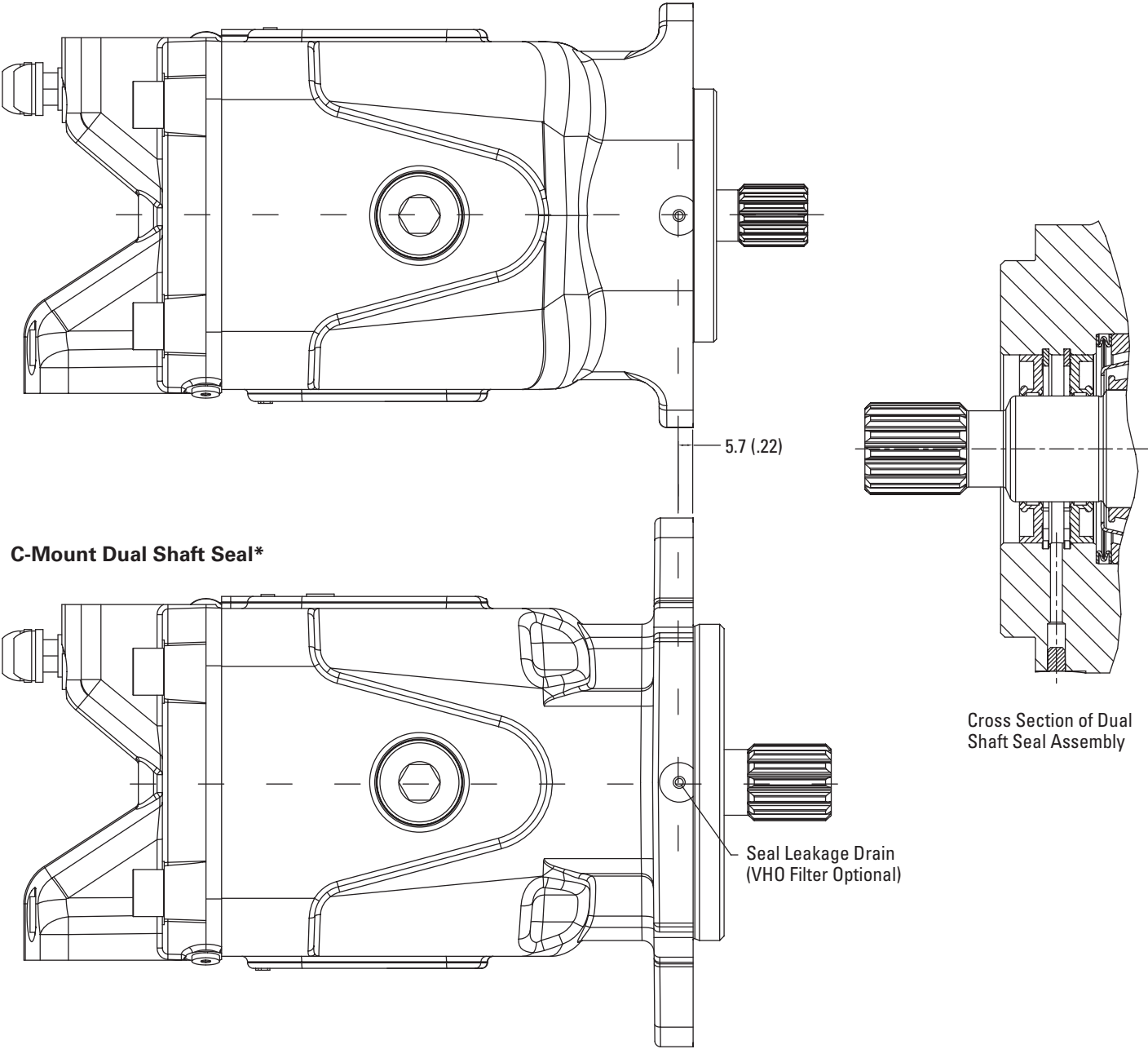
$\text{Ø}25.5$ (1.006) 15 Tooth 30° Flat
 Root Side Fit 16/32 Internal
 Spline per ASA B5.15-1960
 Accepts 15 Tooth 30° Flat Root
 Side Fit 16/32 External Splines
 per SAE J498B Class 1 or ANSI
 B92.1 Class 5 with 46 (1.81)
 Extension From Mounting Flange



Pump Installation

Dual Shaft Seal

B-Mount Dual Shaft Seal*

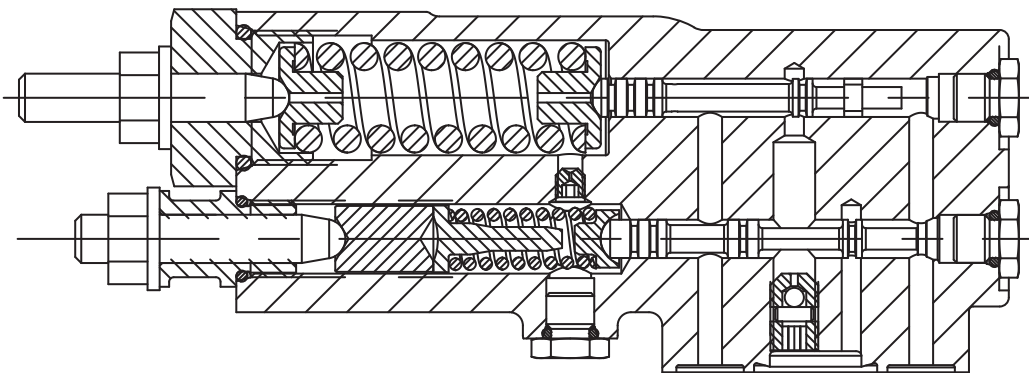
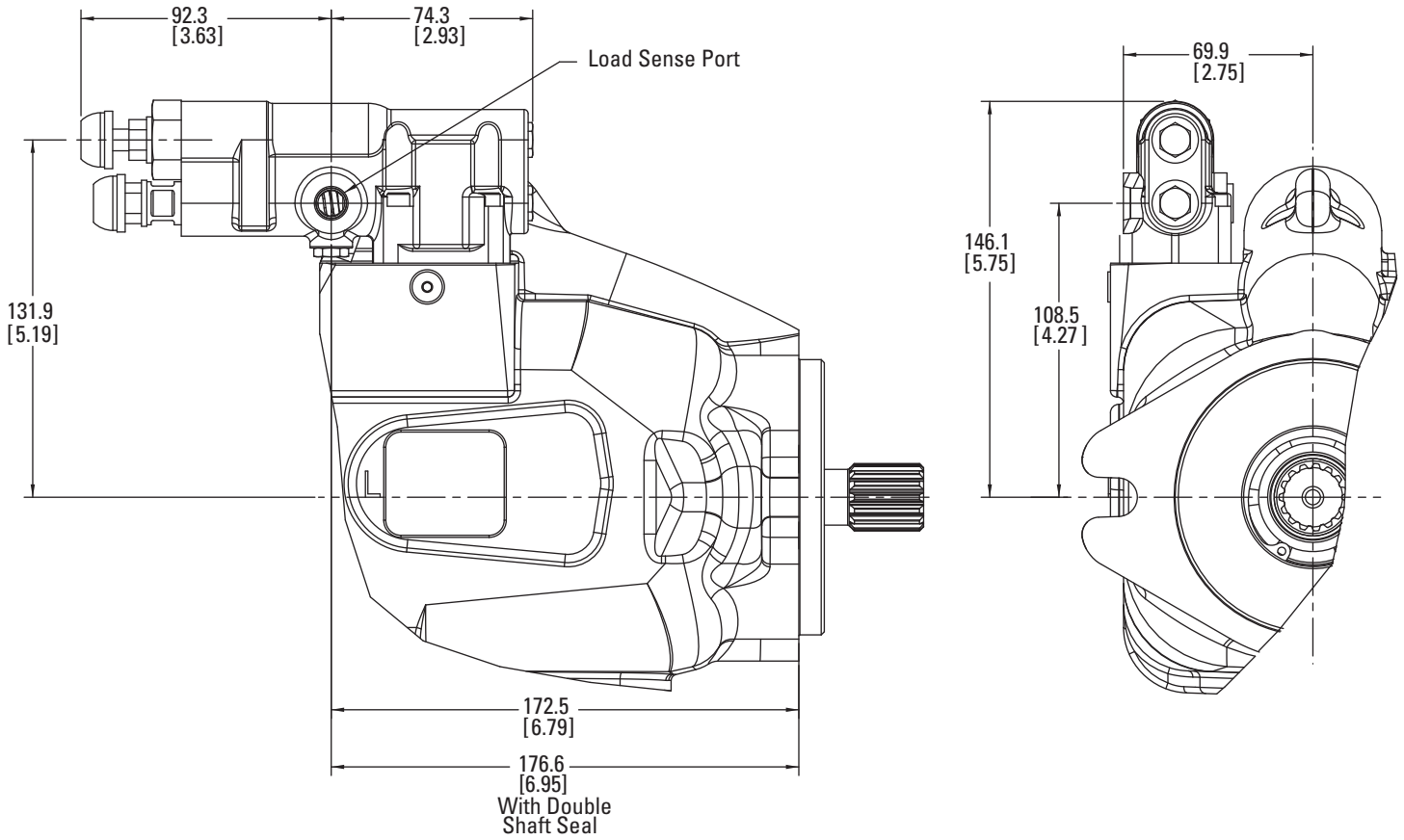


* Refer to C-Mount Pump installation drawings for port locations.

Control Installation

Load Sense and Pressure Compensator

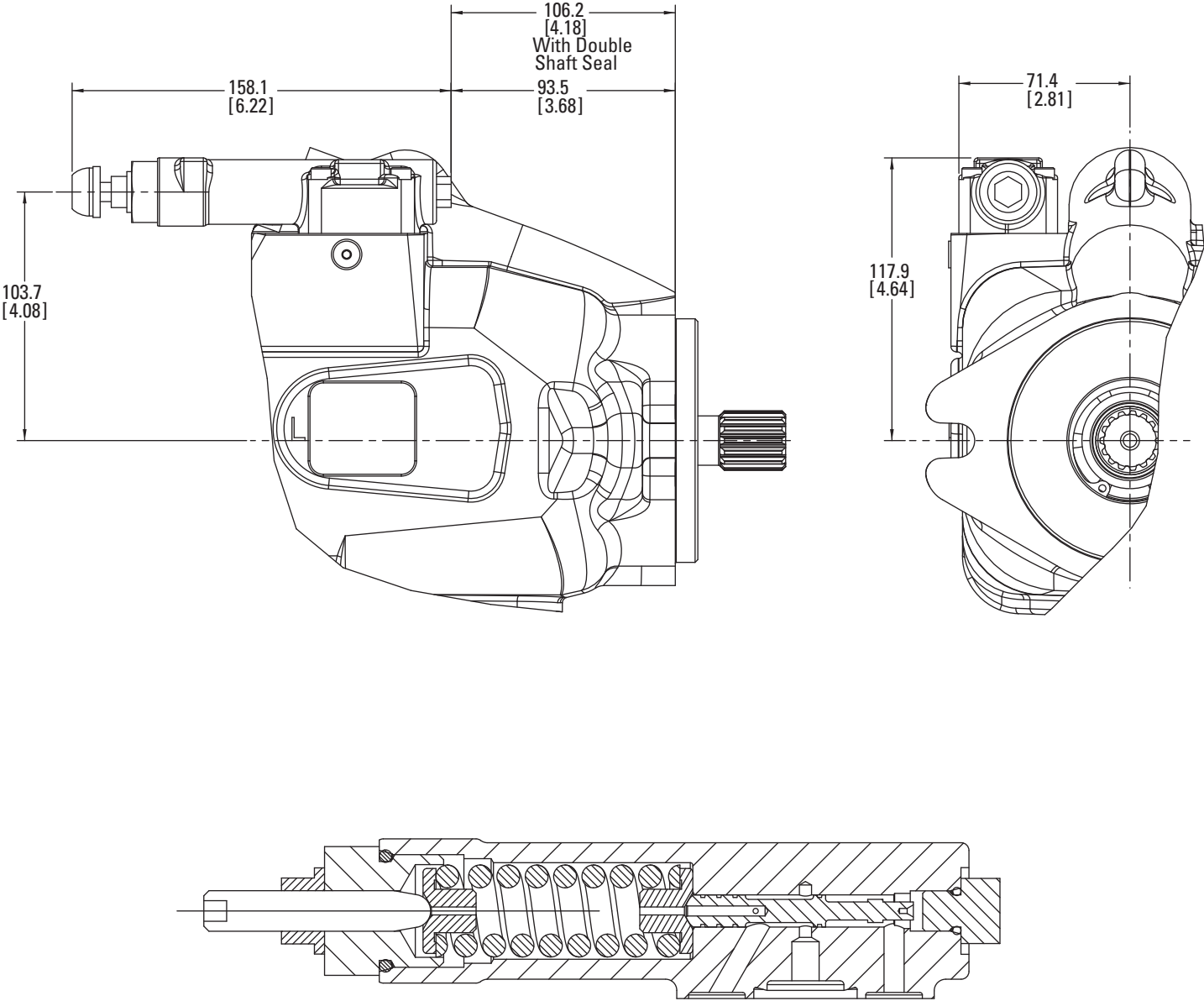
Load Sense and Pressure Compensator



Control Installation

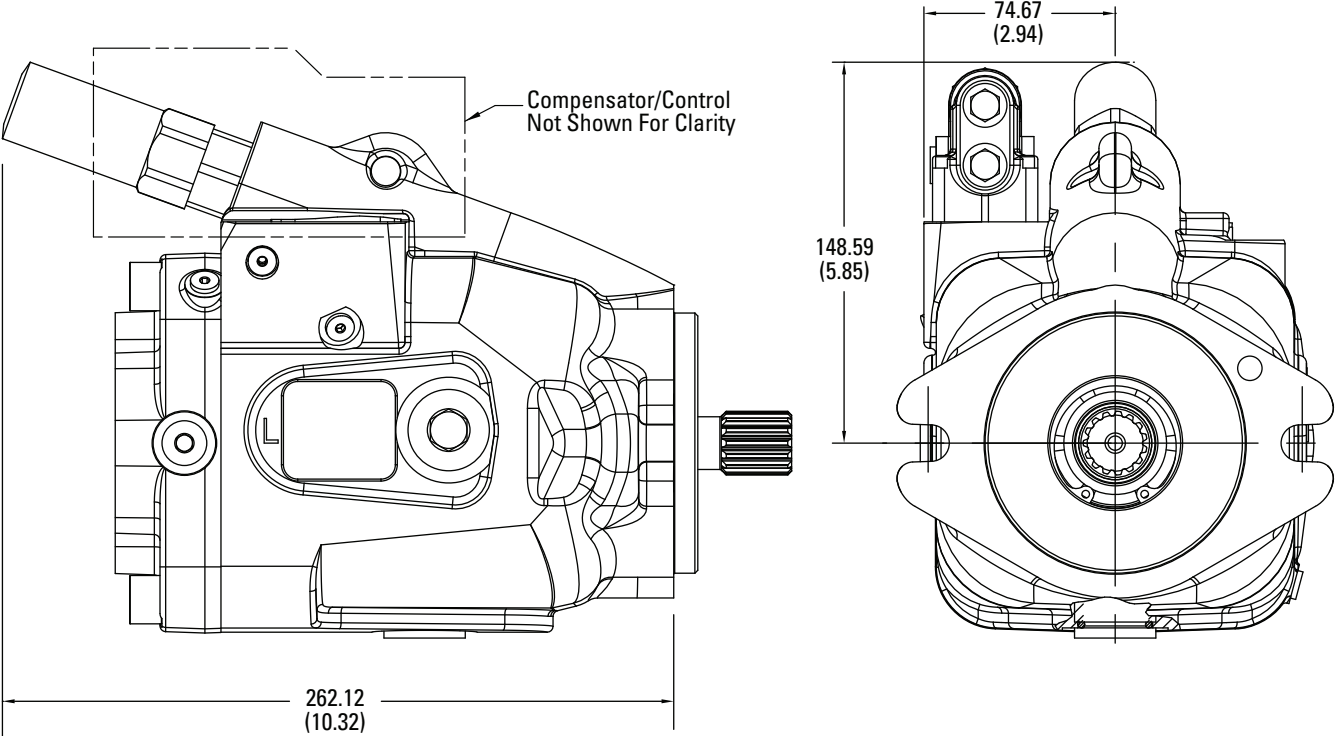
Pressure Compensator

Pressure Compensator



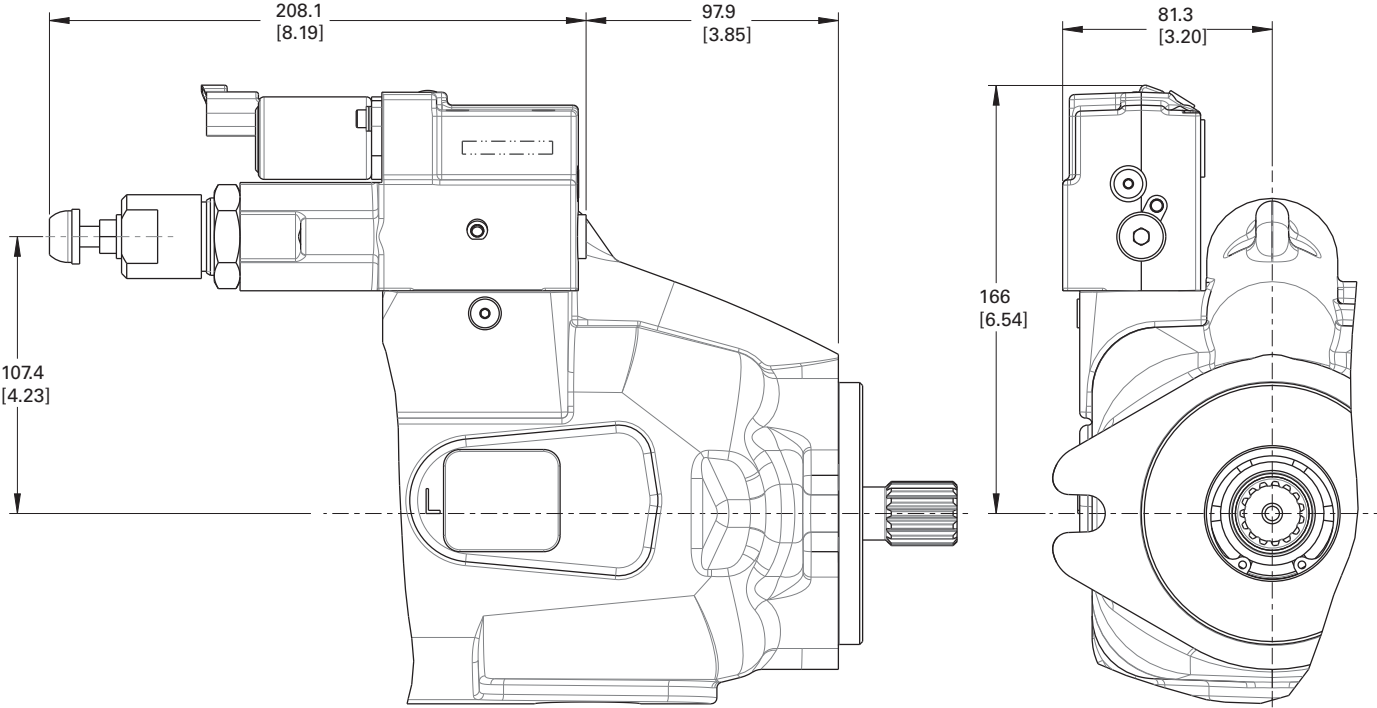
Control Installation

Torque Control

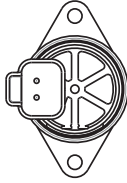


Control Installation

EH Inverse Proportional Pressure Control (IPPC)



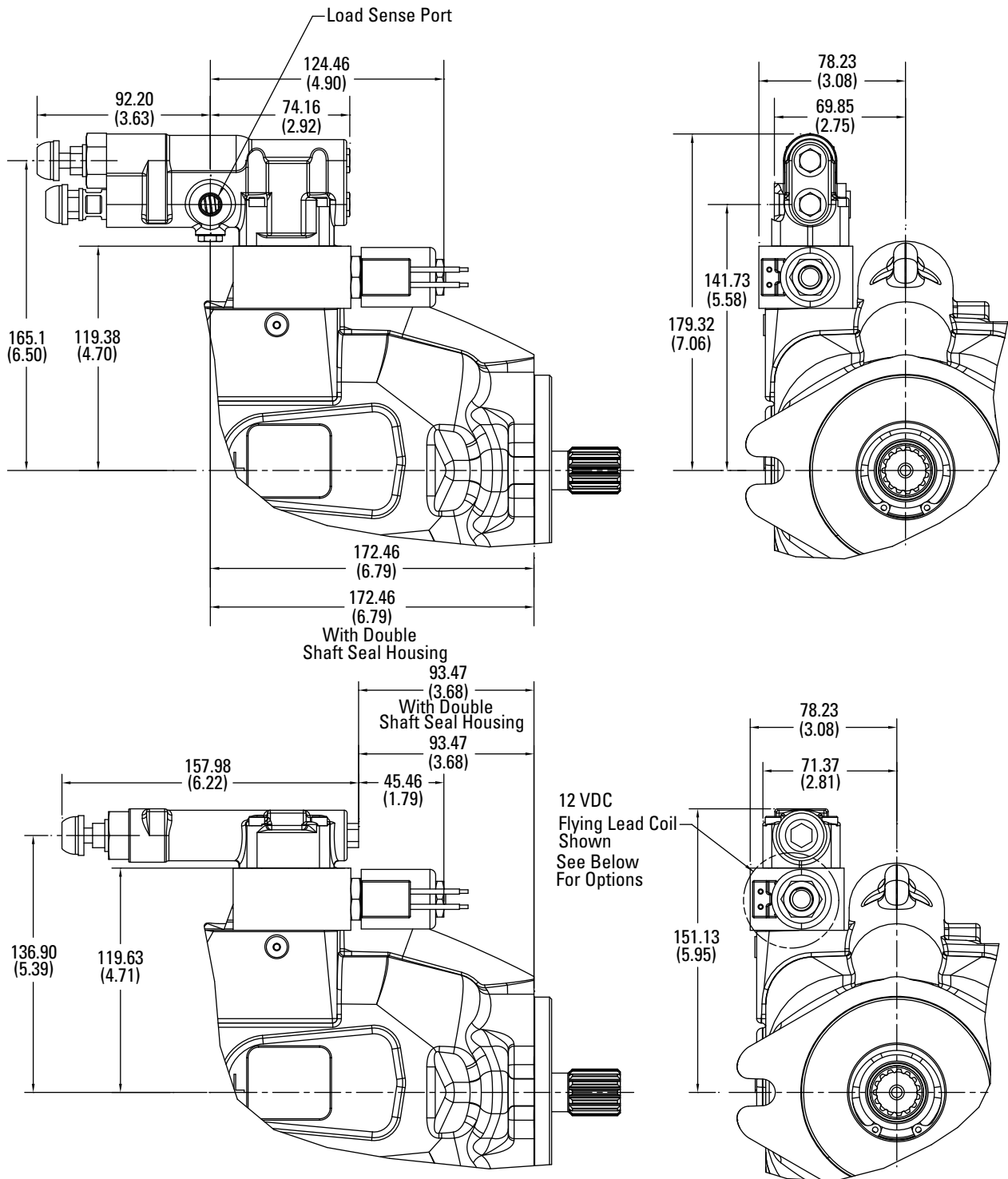
AMP CONNECTOR



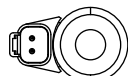
DEUTSCH CONNECTOR

Control Installation

Cold Start Valve



Optional Connectors



Deutsch Option



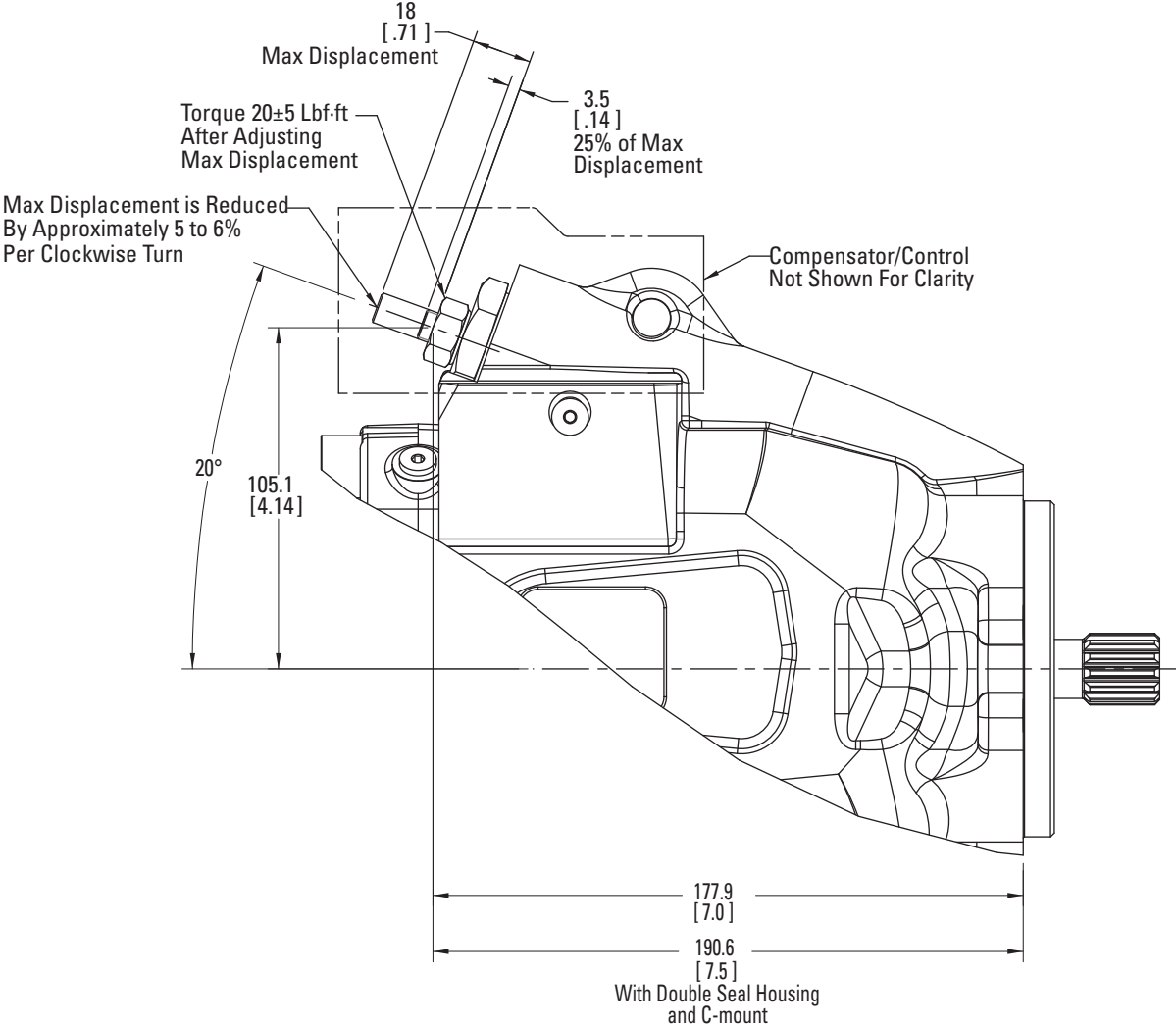
Metri-pack 280 Option



Metri-pack 150 Option

External Manual Stroke Adjustment

Maximum Stroke Limiter

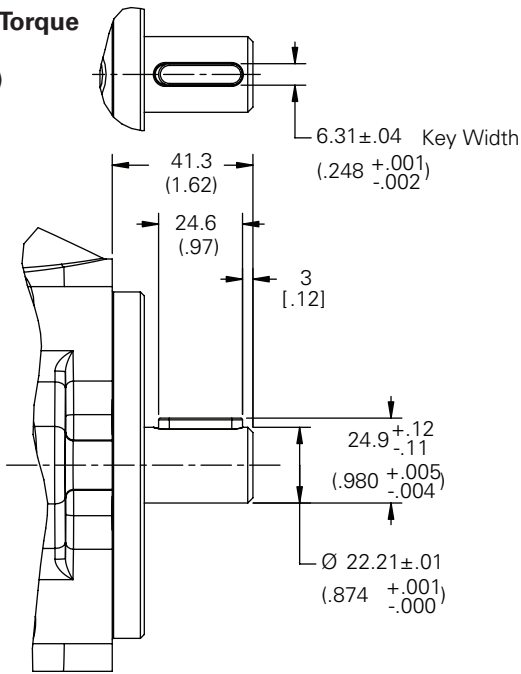


Input Shaft Options

01 Code

Maximum Torque

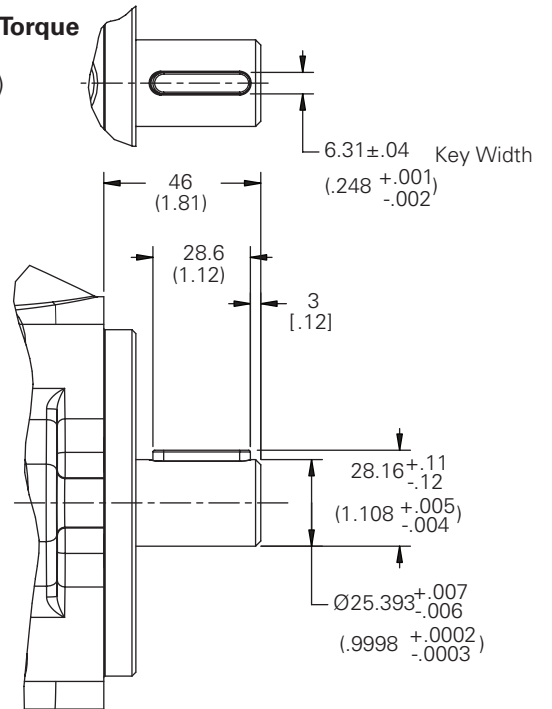
209 Nm
(1850 in-lbf)



02 Code

Maximum Torque

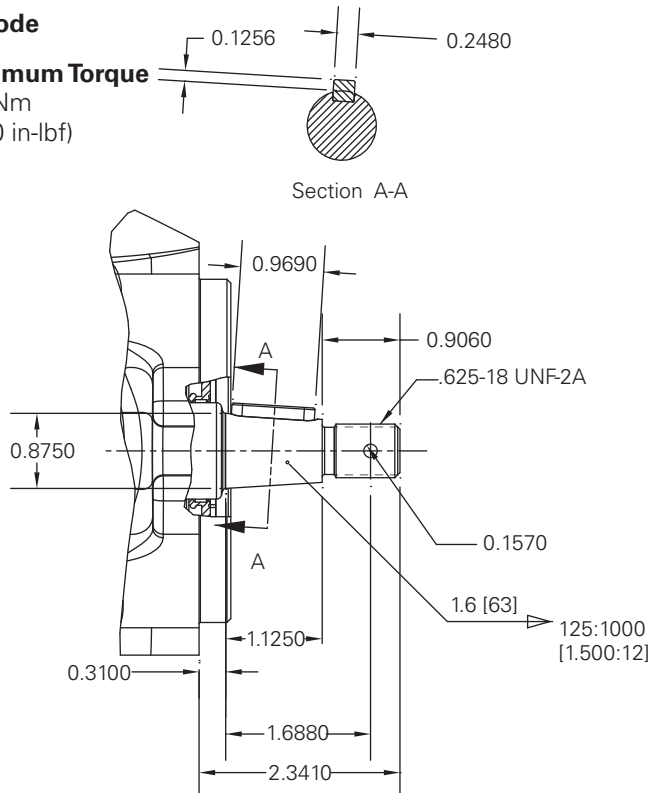
337 Nm
(2987 in-lbf)



03 Code

Maximum Torque

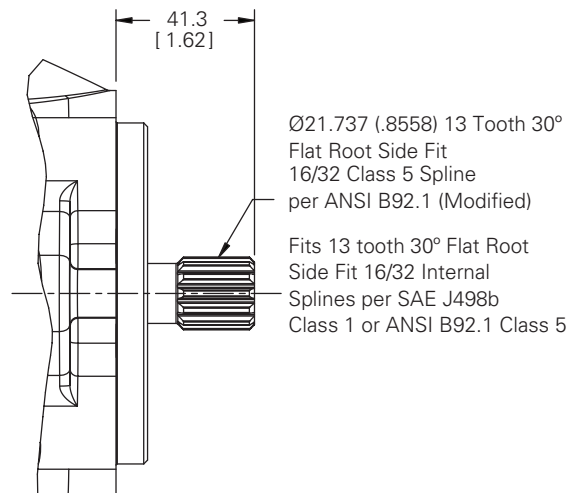
209 Nm
(1850 in-lbf)



05 Code

Maximum Torque

307 Nm
(2717 in-lbf)

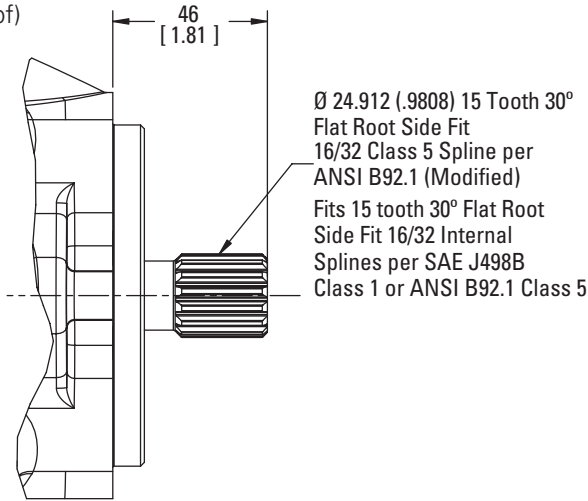


Input Shaft Options

08 Code

Maximum Torque

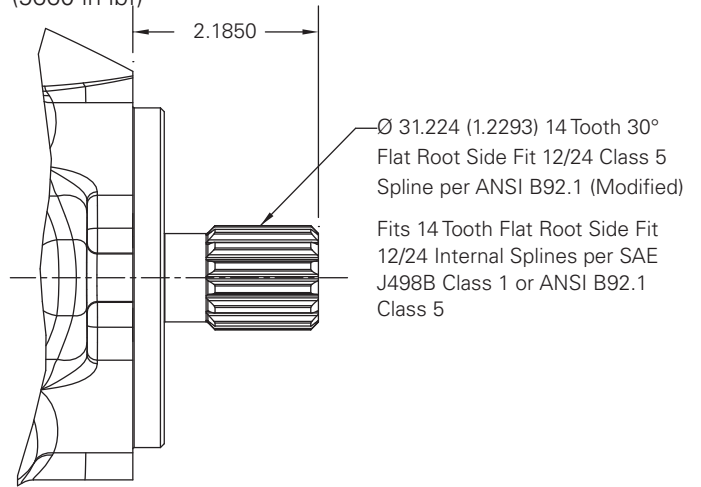
397 Nm
(3514 in-lbf)



32 Code

Maximum Torque

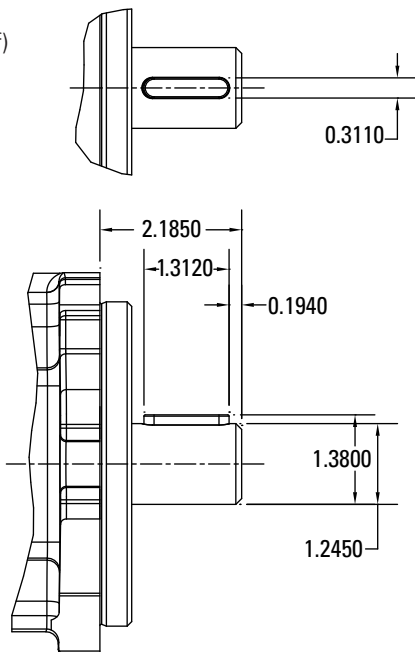
640 Nm
(5660 in-lbf)



33 Code

Maximum Torque

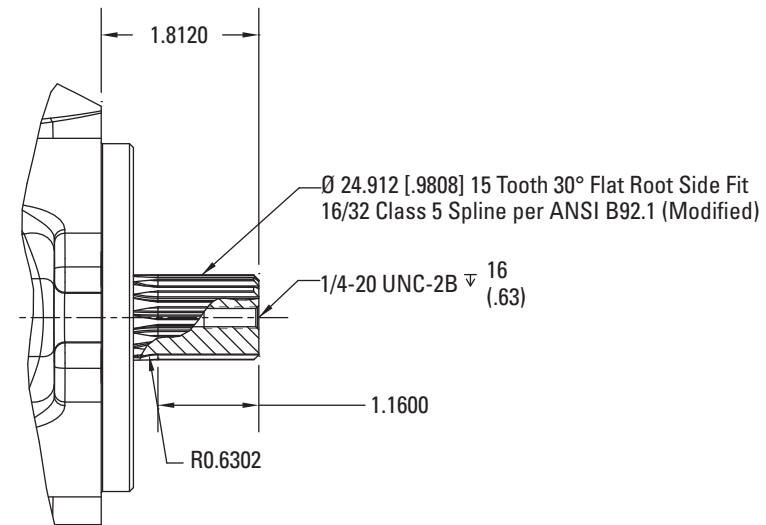
450 Nm
(3980 in-lbf)



34 Code

Maximum Torque

397 Nm
(3514 in-lbf)

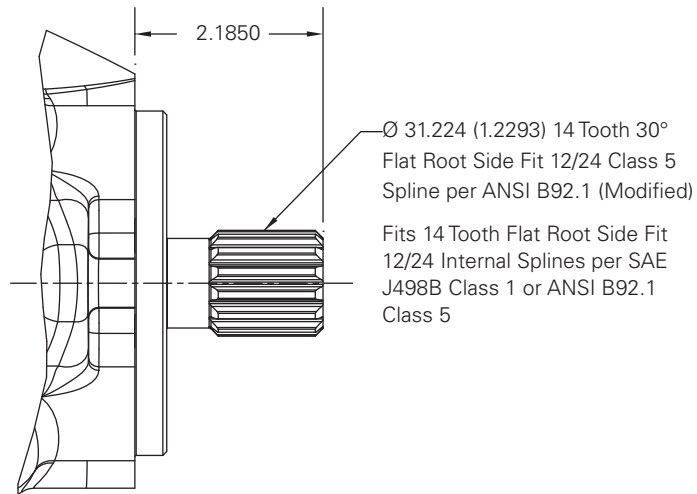


Input Shaft Options

35 Code

Maximum Torque

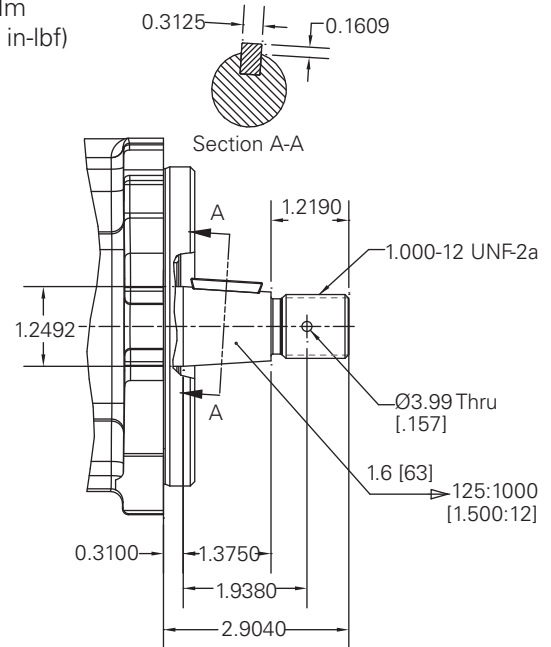
640 Nm
(5660 in-lbf)



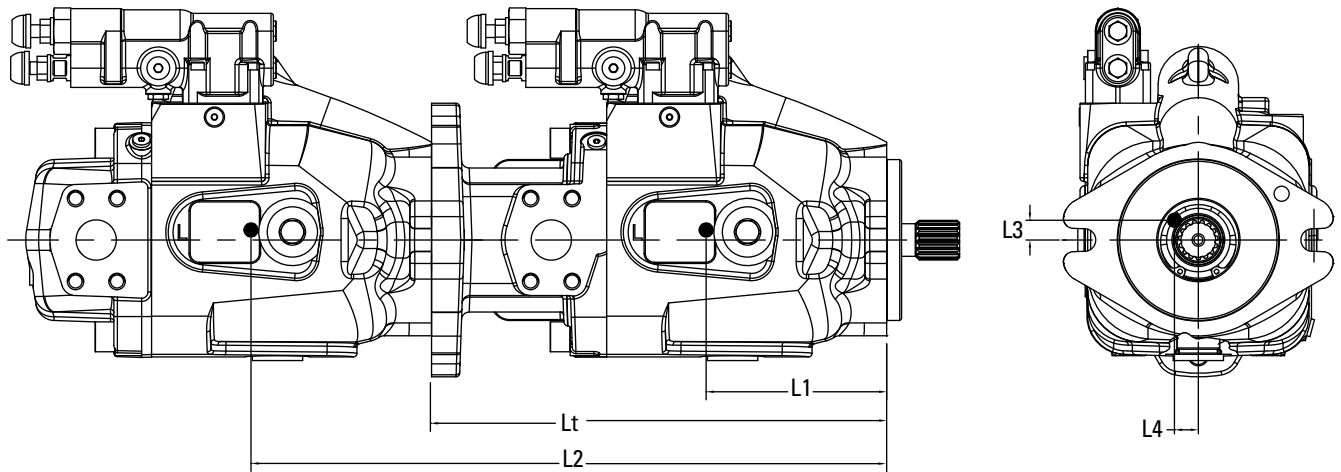
38 Code

Maximum Torque

450 Nm
(3980 in-lbf)



Center of Gravity



	Rear Port			Side Port			Thru-Drive			Length		Dual Seal
	Lcg	L3	L4	Lcg	L3	L4	Lcg	L3	L4	Lt	Lds	
ADU041	109.6 (4.31)	9.6 (0.38)	2.9 (0.11)	114.7 (4.51)	9.2 (0.36)	2.4 (0.10)	131.5 (5.18)	8.2 (0.32)	2.1 (0.08)	287.3 (11.31)	13.0 (0.50)	
ADU049	109.6 (4.31)	9.6 (0.38)	2.9 (0.11)	114.7 (4.51)	9.2 (0.36)	2.4 (0.10)	131.5 (5.18)	8.2 (0.32)	2.1 (0.08)	287.3 (11.31)	13.0 (0.50)	
ADU062	109.9 (4.32)	9.4 (0.37)	2.9 (0.11)	114.9 (4.52)	9.0 (0.35)	2.4 (0.10)	131.3 (5.17)	8.0 (0.31)	2.1 (0.08)	287.3 (11.31)	13.0 (0.50)	
ADU080	109.9 (4.32)	9.4 (0.37)	2.9 (0.11)	114.9 (4.52)	9.0 (0.35)	2.4 (0.10)	131.3 (5.17)	8.0 (0.31)	2.1 (0.08)	287.3 (11.31)	13.0 (0.50)	

Dimensions in mm (in)

Examples: Calculation L₁ and L₂

Tandem ADU062 Thru-drive with ADU041 Rear Ported

$$L_1 = L_{cg} \quad 131.3\text{mm (5.17 inches)}$$

$$L_2 = L_t + L_{cg} \quad 287.3\text{mm} + 109.6\text{mm} = 396.9\text{mm (15.6 inches)}$$

Tandem Dual Seal ADU049 Thru-drive with ADU049 Side Ported

$$L_1 = L_{cg} + L_{ds} \quad 131.5\text{mm} + 13\text{mm} = 144.5\text{mm (5.69 inches)}$$

$$L_2 = L_t + L_{ds} + L_{cg} \quad 287.3\text{mm} + 13\text{mm} + 114.7\text{mm} = 415\text{mm (16.34 inches)}$$

Tandem Pump Applications

Eaton recommends that tandem pump applications be provided with additional support to limit overhung loading of the mounting flange. The thru-drive alternate attachment points on the rear flange may be used with a customer designed support.

Installation and Start-up

Warning: Care should be taken that mechanical and hydraulic resonances are avoided in the application of the pump. Such resonances can seriously compromise the life and/or safe operation of the pump.

Drive Data

Mounting attitude should be horizontal using the appropriate case drain ports to ensure that the case remains full of fluid at all times. Consult your local Eaton Representative if a different arrangement is required.

Fluid Cleanliness

The 420 Series pumps are rated in anti-wear petroleum fluids with a contamination level of 21/18/13 per ISO 4066. Operation in fluids with levels more contaminated than this is not recommended. Fluids other than petroleum, severe service cycles, or temperature extremes are cause for adjustment of these codes. Please contact your Eaton Representative for specific duty cycle recommendation.

In those cases where geometric tolerances of mounting are critical, or where specific tolerance ranges are required and not specified, consult Eaton Engineering for specific limits.

Direction of shaft rotation, viewed from the prime mover end, must be as indicated in the model designation on the pump— either right hand (clockwise) or left hand (counterclockwise).

Direct coaxial drive through a flexible coupling is recommended. If drives imposing radial shaft loads are considered, please consult your Eaton Representative.

Eaton 420 Series pumps, as with any variable displacement piston pumps, will operate with apparent satisfaction in fluids up to the rating specified here. Experience has shown however, that pump and hydraulic system life is not optimized with high fluid contamination levels (high ISO cleanliness codes).

Proper fluid condition is essential for long and satisfactory life of hydraulic

Start-up Procedure

Make sure the reservoir and circuit are clean and free of dirt/debris prior to filling with hydraulic fluid.

Fill the reservoir with filtered oil and fill to a level sufficient enough to prevent vortexing at the suction connection to pump inlet. It is good practice to clean the system by flushing and filtering, using an external slave pump.

Caution: Before the pump is started, fill the case through the uppermost drain port with hydraulic fluid of the type to be used. The case drain line must be connected directly to the reservoir and must terminate below the oil level.

components and systems. Hydraulic fluid must have the correct balance of cleanliness, materials, and additives for protection against wear of components, elevated viscosity and inclusion of air.

Essential information on the correct methods for treating hydraulic fluid is included in Eaton publication 561 – “Eaton Guide to Systemic Contamination Control” – available from your local

Once the pump is started, it should prime within a few seconds. If the pump does not prime, check to make sure that there are no restrictions between the reservoir and the inlet to the pump, and that the pump is being rotated in the proper direction, and that there are no air leaks in the inlet line and connections. Also check to make sure that trapped air can escape at the pump outlet.

After the pump is primed, tighten the loose outlet connections, then operate for five to ten minutes (unloaded) to remove all trapped air from the circuit.

If the reservoir has a sight gage, make sure the fluid is clear – not milky.

Eaton distributor. In this publication, filtration and cleanliness levels for extending the life of axial piston pumps and other system components are listed. Included is an excellent discussion of the selection of products needed to control fluid condition.

Eaton
Hydraulics Group USA
14615 Lone Oak Road
Eden Prairie, MN 55344
USA
Tel: 952-937-9800
Fax: 952-294-7722
www.eaton.com/hydraulics

Eaton
Hydraulics Group Europe
Route de la Longeraie 7
1110 Morges
Switzerland
Tel: +41 (0) 21 811 4600
Fax: +41 (0) 21 811 4601

Eaton
Hydraulics Group Asia Pacific
Eaton Building
4th Floor, No.3 Lane280 Linhong Rd.
Changning District
Shanghai 200335
China
Tel: (+86 21) 5200 0099
Fax: (+86 21) 5200 0400