

THE PRODUCTION LINE OF HANSA-TMP

**Fixed Displacement Axial Piston Motor
for Open and Closed Loop System**

**TMF 600
(22.15 ÷ 98.75 cm³/rev.)**



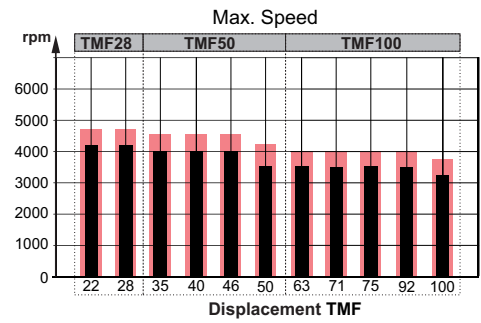
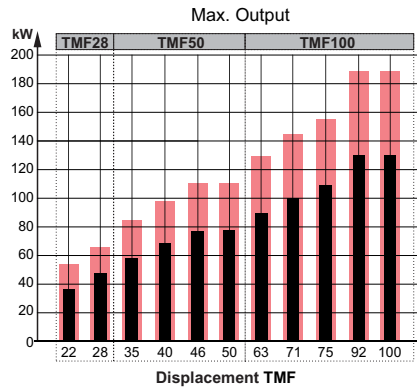
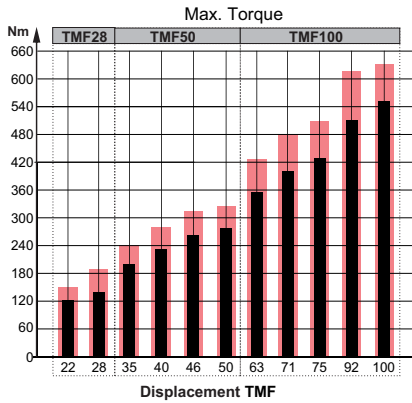
CONTENTS

Specification Data.....	4
Motor Dimensions.....	4
Port, Shaft and Flange Types.....	5
 Hydraulic Motor TMF 28	
General Information.....	6
Section View.....	7
Specification Data.....	8
Function Diagrams.....	9
Overall Dimensions and Ports SAE-A.....	10
Drive Shafts SAE-A.....	11
Overall Dimensions and Ports SAE-B.....	12
Drive Shafts SAE-B.....	13
Ordering Code.....	14
Valve Options.....	15
 Hydraulic Motor TMF 50	
General Information.....	16
Section View.....	17
Specification Data.....	18
Function Diagrams.....	19
Overall Dimensions and Ports.....	20
Drive Shafts.....	21
Ordering Code.....	22
Valve Options.....	23
 Hydraulic Motor TMF 100	
General Information.....	24
Section View.....	25
Specification Data.....	26
Function Diagrams.....	27
Overall Dimensions and Ports SAE-4C.....	28
Drive Shafts SAE-4C.....	29
Ordering Code.....	30
Valve Options.....	31
Shafts Types and Dimensions.....	32 - 33
Installation.....	34 - 36
Fluid Viscosity Limits.....	37
Basic and Application Formulas.....	38

Specification Data Motors Type TMF

Intermittent values

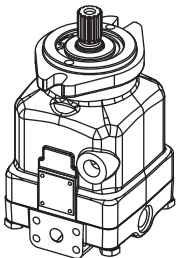
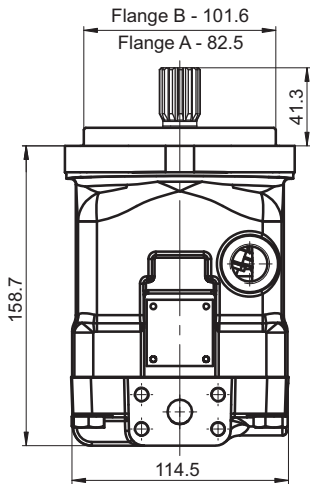
Continuous values



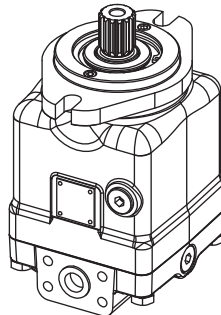
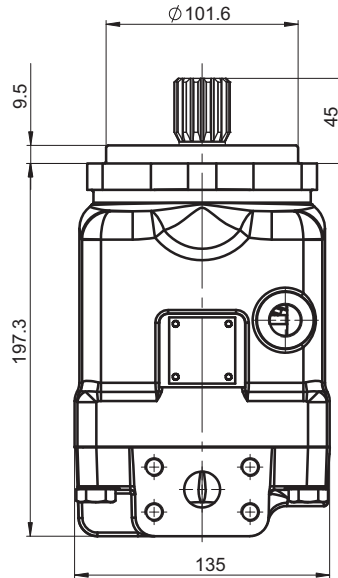
MOTOR DIMENSIONS

The below dimensions are for **comparison only**. The motors can obtain different flanges, shafts and end covers.

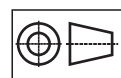
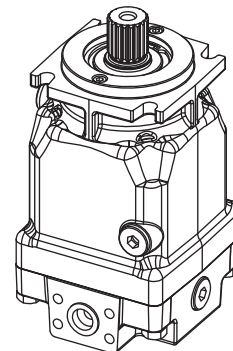
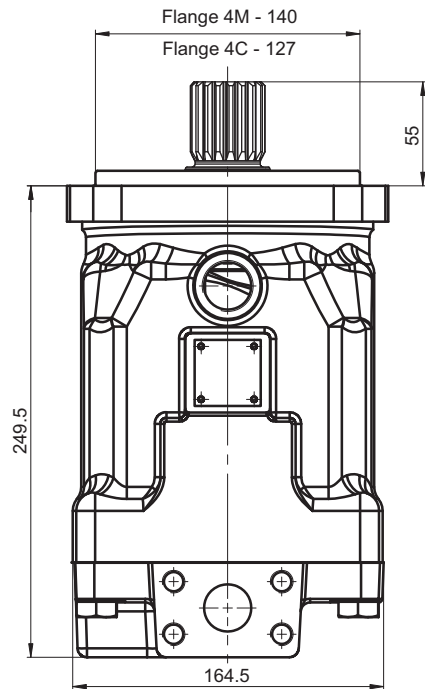
TMF28



TMF50



TMF100



mm

Port, Shaft and Flange Types

Cross Table - Flange Types

TMF 28	TMF 50	TMF 100	Type of flanges
x			A - 2-Bolt, SAE A, SD. 82.5, BC. 106.35, BD 13.5
x	x		B - 2-Bolt, SAE B, SD. 101.6, BC. 146, BD. 14.3
		x	4C - 4-Bolt flange, SAE C, SD. 127, BC. 161.92, BD. 14.3

Legend

BC (Bolt Circle) - Center point of bolt holes
 BD (Bolt Diameter) - Diameter of bolt holes
 SD (Spigot Diameter) - Center Diameter

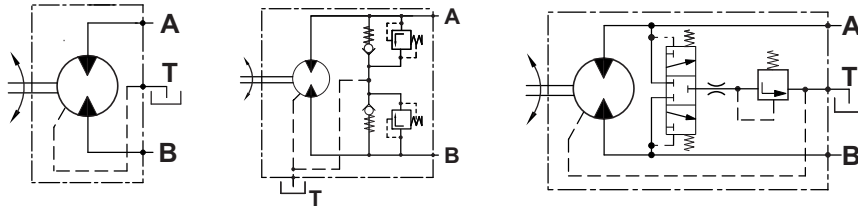
Cross Table - Shaft Types

TMF28	TMF50	TMF100	Type of shafts
x	x		SD \varnothing 21.72 Spline SAE 13T 16/32 DP, M8-6H thread
x	x		SF \varnothing 24.9 Spline SAE 15T 16/32, M8-6H thread
	x	x	SK \varnothing 31.75 Spline SAE 14T 12/24 DP, M10-6H thread
		x	SP \varnothing 34.5 Spline SAE 21T 16/32 DP, M12-6H thread
x	x		CK \varnothing 22.2 Straight , M8-6H thread, parallel key 1/4"x1/4"x1" BS46
x			ML \varnothing 25 Straight , M8-6H thread, parallel key A8x7x25 DIN6885
	x		CM \varnothing 25.4 Straight , M8-6H thread, parallel key 1/4"x1/4"x1" BS46
	x		CS \varnothing 32 Straight , M8-6H thread, parallel key A10x8x45 DIN6885
		x	DU \varnothing 38.1 Straight , key 9.528, L38.1, 3/8-16 UNC thread
		x	CV \varnothing 40 Straight , M12-6H thread, parallel key A12x8x63 DIN6885

Cross Table - Port Types

PORTS SIZE - THREAD OPTION			
TMF28	TMF50	TMF100	Type of threads
2	6		2xG1/2, drain ports G1/2
	2		2xG3/4, drain ports G1/2
		2	2xG1, drain ports G3/4, for rear drain port G1/2

Hydraulic Motors Type TMF 28
Heavy Duty Axial Piston Motors Fixed Displacement



open drain line is always required

APPLICATION

- Agricultural machines
- Road building machines
- Mining machinery
- Food industry machines
- Swing drives
- Hydraulic transmissions
- Vibration machines
- Fan drives
- Special vehicles

OPTIONS

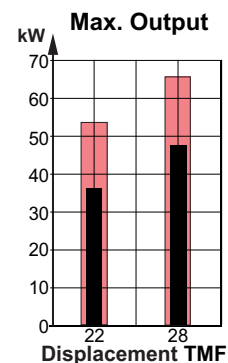
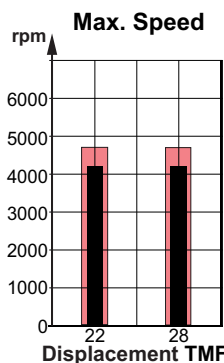
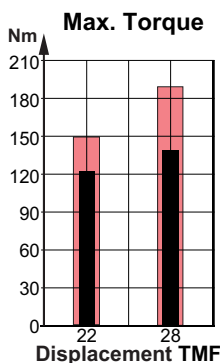
- Swash plate
- Flange options
- Port options
- Shaft options
- High pressure ports
- Integrated valves

ADVANTAGES

- High starting torque
- Smooth operation
- Long service life
- High power density

GENERAL

Displacement,	cm ³ /rev	22,15÷28.47
Max. Speed,	RPM	4200
Max. Torque,	Nm	159
Max. Output,	kW	48
Max. Pressure Drop,	bar	350
Max. Oil Flow,	lpm	120
Min. Speed,	RPM	500
Fluid	Mineral based- HLP (DIN 51524) or HM (ISO 6743/4)	
Temperature Range,	°C	-40÷82
Optimal Viscosity Range,	mm ² /s	12÷68
Filtration	ISO code 18/16/13 (Min. recommended fluid filtration of 10 micron)	

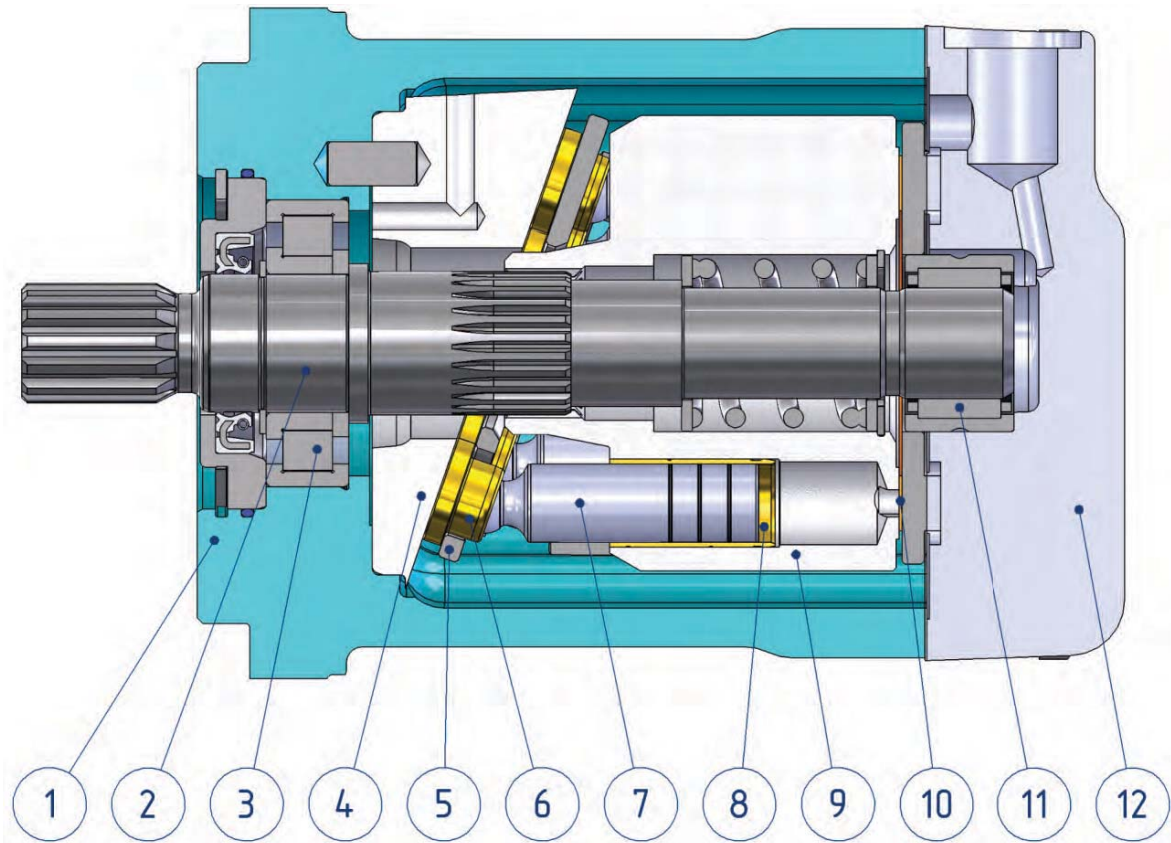


Intermittent values

Continuous values

TMF 28 Motors Series

SECTION VIEW



1. Cast iron body.
2. Hardened shaft.
3. Robust radial - axial roller bearing.
4. Solid swash plate.
5. Retainer plate.
6. Improved piston shoes.
7. Improved pistons.
8. Brass bushings.
9. Hardened steel cylinder block.
10. Bimetal distributor.
11. Needle bearing.
12. Solid end cover.

The heavy duty design of the TMF motor gains big advantage over the typical swash plate motors. The starting torque is close to the starting torque of the bent axis motors and the total efficiency of our design in normal working modes is similar to the bent axis motors. The main advantage of our design over the bent axis motors is that the pulsations and vibrations during the operation are much less. Another advantage is that the swash plate motors are more reliable than the bent axis motors.

TMF 28 Motors Series
SPECIFICATION DATA

Type		TMF 22	TMF 28
Displacement, cm.³/rev.		22.15	28.47
Max. Speed,	Cont.	4200	4200
RPM	Int.*	4700	4700
Max. Torque,***	Cont.	123	159
Nm	Int.**	148	190
Output,	Cont.	37	48
kW	Int.**	54	70
Max. Pressure,	Cont.	350	350
bar	Int.**	420	420
Max. Oil Flow,	Cont.	93	120
lpm	Int.*	104	134
Permissible Shaft Load			
max Axial****	N	Fa=1300	
max Radial****	N	Fr=2200	
Min. Speed, RPM		500	
Max. Pressure in Drain Line, bar		5 open drain line is always required	
Weight, kg		11.3	

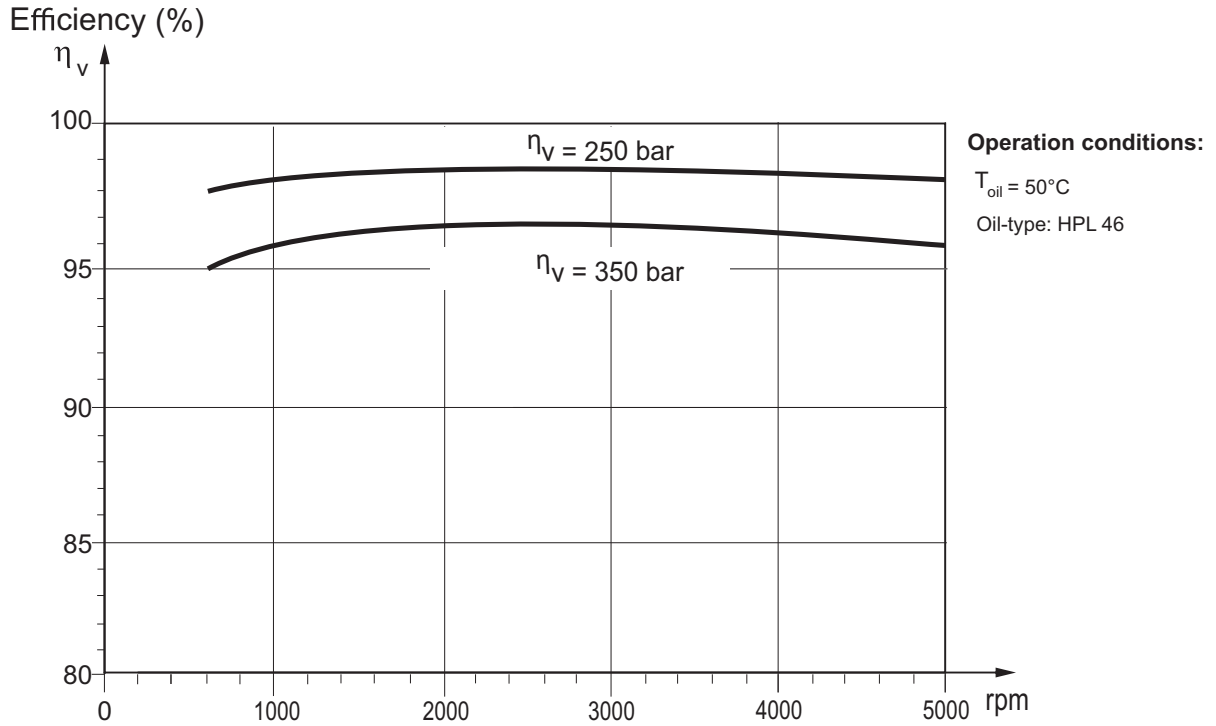
- * Intermittent speed (flow): for pressure up to 150 bar;
- ** Intermittent load: the permissible values may occur for max. 10% of every minute;
- *** Theoretical torque;
- **** The calculated max values are based on the optimal direction of the forces Fr, Fa and optimal position of the shaft.

1. The recommended output power for continuous operations should not be exceeded.
2. Recommended filtration as per ISO 4406 cleanliness code 18/16/13 or better. This filtration corresponds to SAE AS 4059 8A/7B/7C. Nominal filtration - 10 micron or better.
3. Recommended a premium quality, anti-wear type mineral based hydraulic oil, HLP (DIN 51524) or HM (ISO 6743/4).
4. Recommended oil viscosity - 12...68 cSt or see page 37.
5. Recommended maximum system operating temperature -82°C.
6. To ensure optimum life of the motor, fill it up with fluid prior to load it and run with moderate load and speed for about 10-15 minutes.

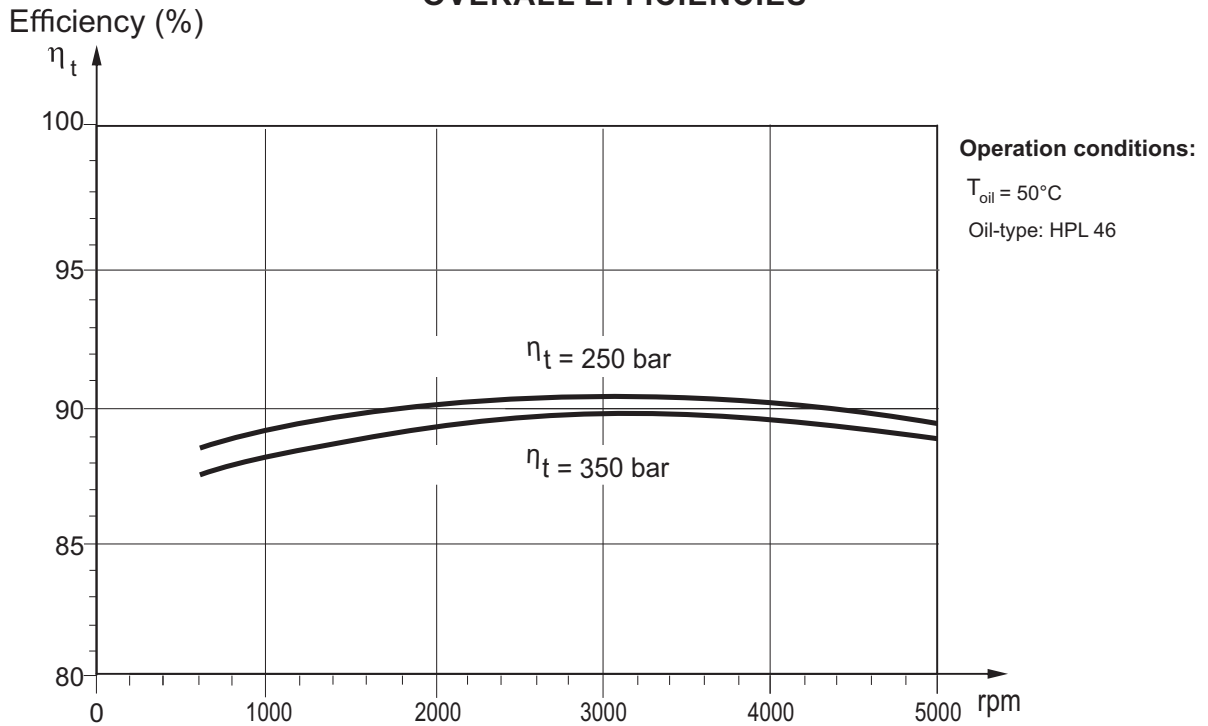
FUNCTION DIAGRAMS

The below efficiencies are applied for all displacements.

VOLUMETRIC EFFICIENCIES



OVERALL EFFICIENCIES



The motor size, pressure, torque, speed of rotation and flow rate required for a specific application can be calculated using the formulas on page 38.

Efficiencies for a particular motor may vary from the shown in the diagram depending on the operating conditions.

TMF 28 Motors Series

Overall Dimensions and Ports

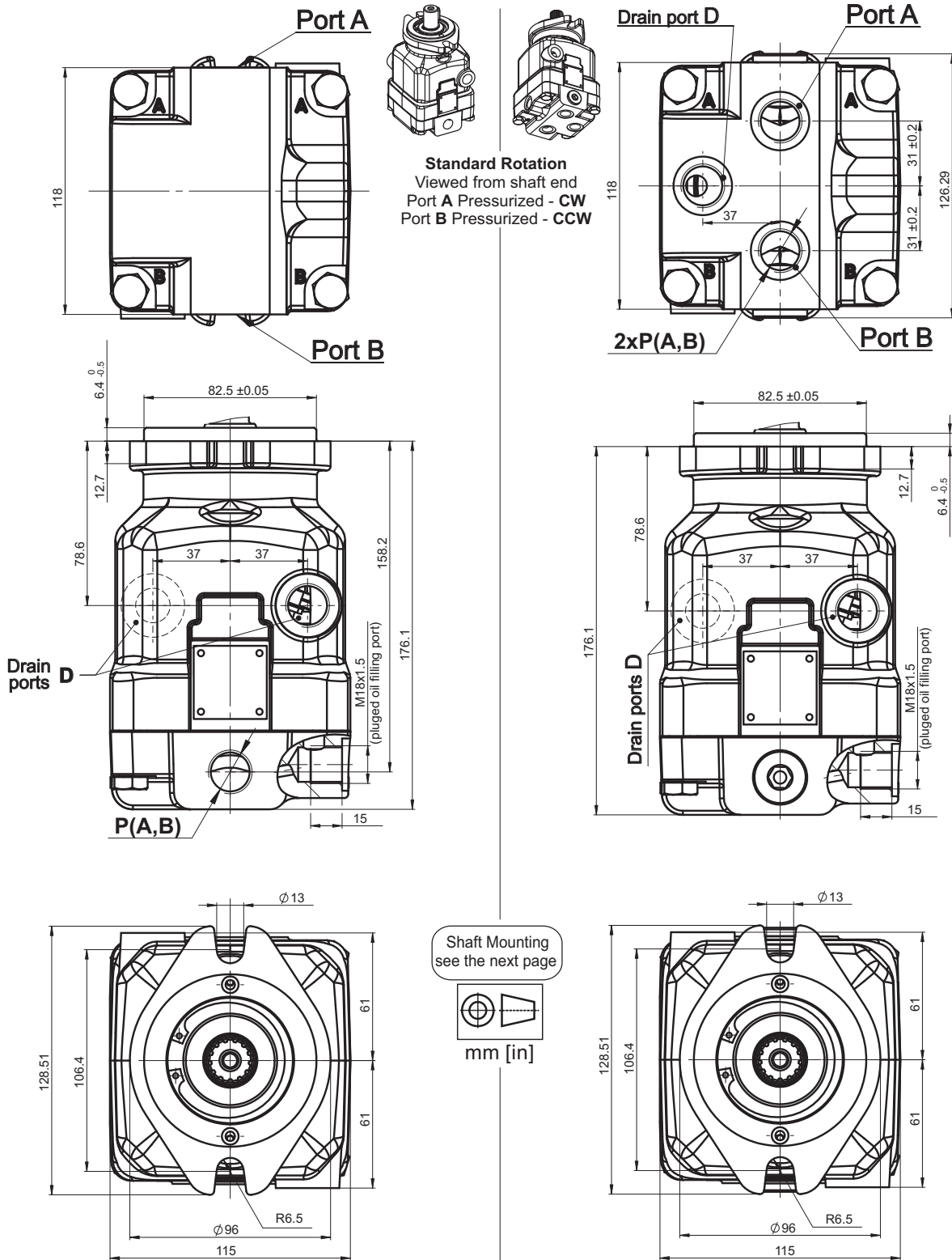
Side Ports - **Default** Mounting Flange - Type **SAE-A**

Side ports, port size 2

See the port sizes at the bottom of this page

Rear ports **E**, port size 2

See the port sizes at the bottom of this page

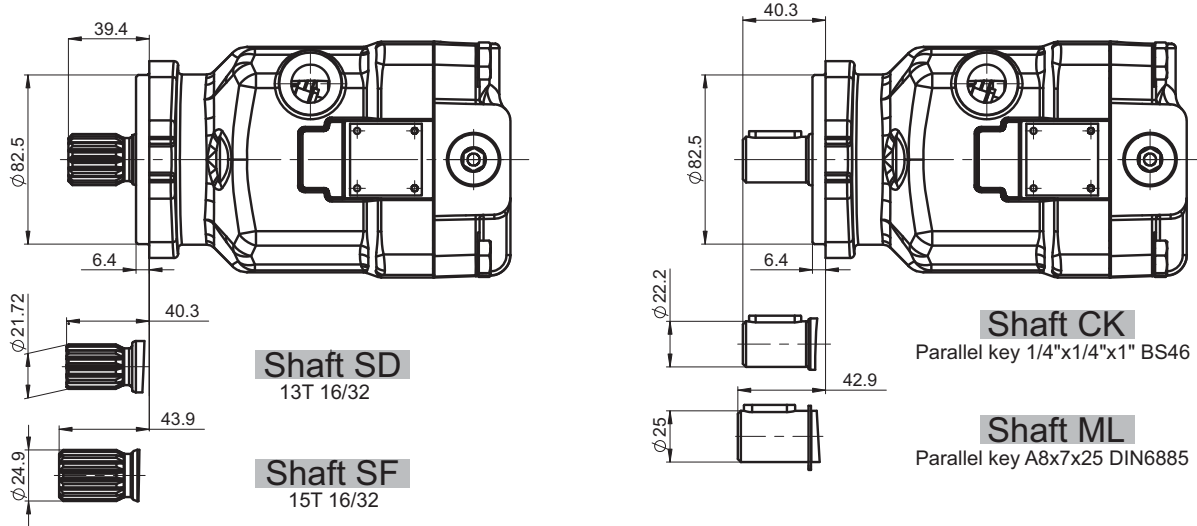


Port Size	
P _(A,B)	2xG 1/2
D	G 1/2

Port Size	
P _(A,B)	2xG 1/2
D	G 1/2

TMF 28 Motors Series

Shafts Mounting
Mounting Flange - Type SAE-A

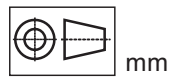


Shaft Dimensions
See Page 32+33

PERMISSIBLE SHAFT LOAD

Permissible shaft load		
max Axial	N	Fa=1300
max Radial	N	Fr=2200

The calculated max values are based on the optimal direction of the forces Fr, Fa and optimal position of the shaft (see page 34).



TMF 28 Motors Series

Overall Dimensions and Ports

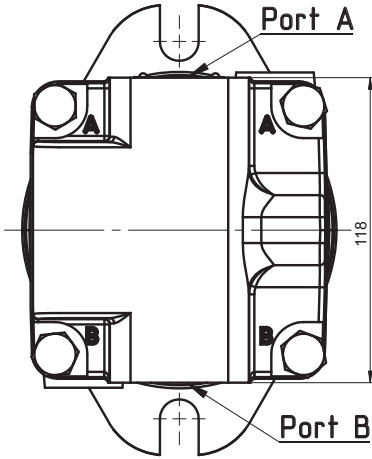
Side Ports - **Default** Mounting Flange - Type **SAE-B**

Side ports, port size 2

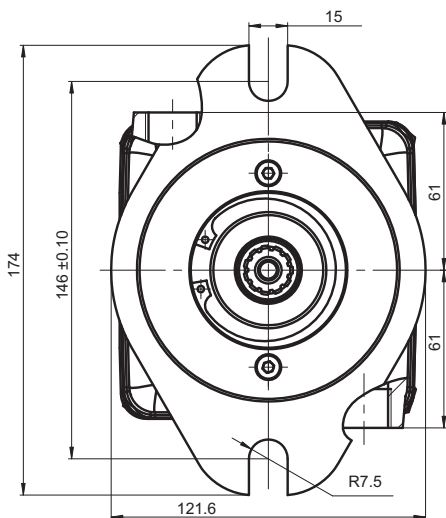
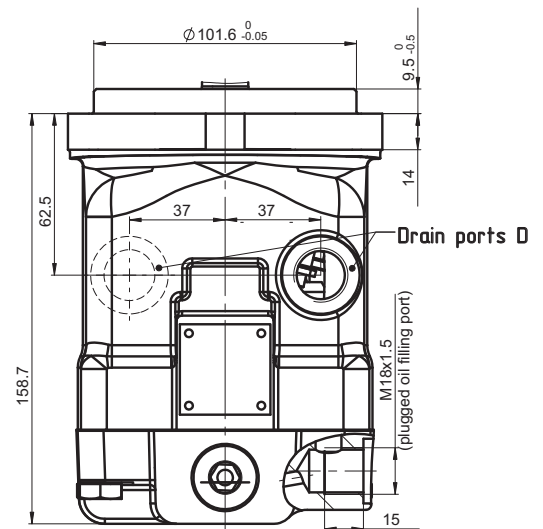
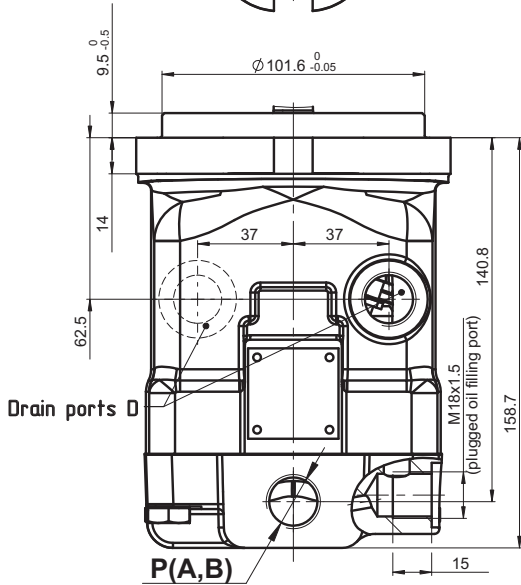
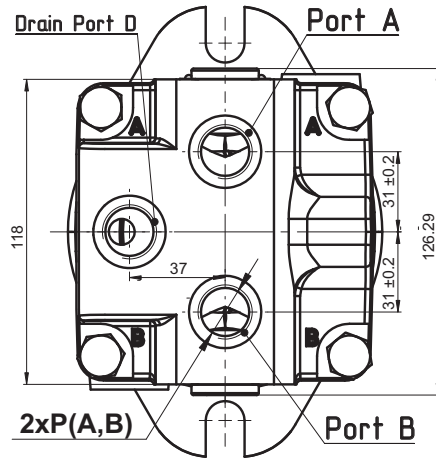
See the port sizes at the bottom of this page

Rear ports **E**, port size 2

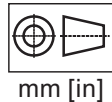
See the port sizes at the bottom of this page



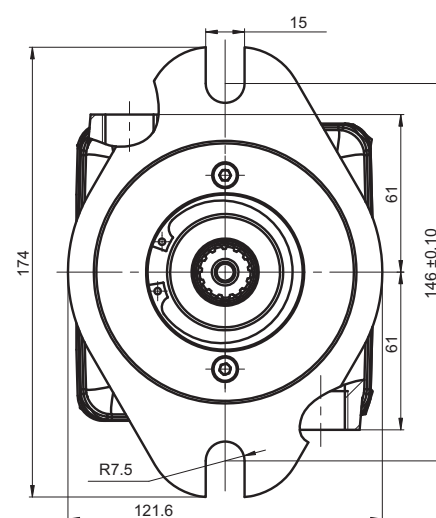
Standard Rotation
Viewed from shaft end
Port A Pressurized - CW
Port B Pressurized - CCW



Shaft Mounting
see the next page



mm [in]

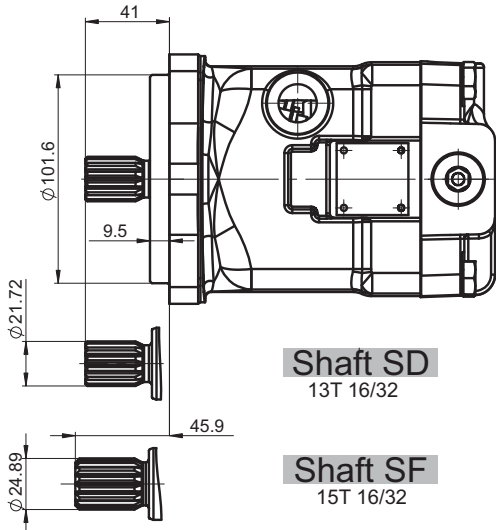


Port Size	
P _(A,B)	2xG 1/2
D	G 1/2

Port Size	
P _(A,B)	2xG 1/2
D	G 1/2

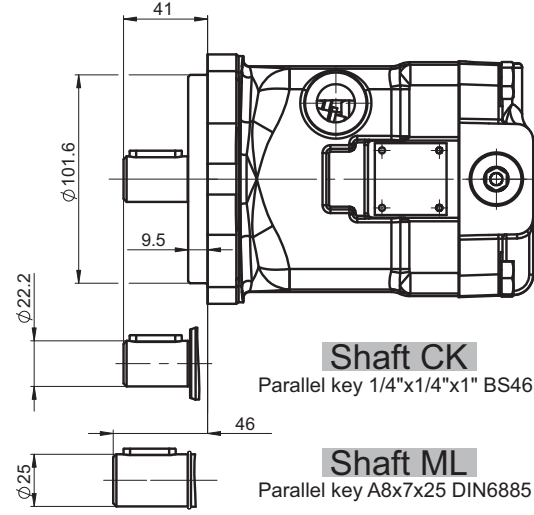
TMF 28 Motors Series

Shafts Mounting
Mounting Flange - Type SAE-B



Shaft SD
13T 16/32

Shaft SF
15T 16/32



Shaft CK
Parallel key 1/4"x1/4"x1" BS46

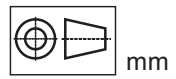
Shaft ML
Parallel key A8x7x25 DIN6885

Shaft Dimensions
See Page 32-33

PERMISSIBLE SHAFT LOAD

Permissible shaft load		
max Axial	N	Fa=1300
max Radial	N	Fr=2200

The calculated max values are based on the optimal direction of the forces Fr, Fa and optimal position of the shaft (see page 34).



TMF 28 Motors Series

ORDERING CODE

	1	2	3	4	5	6	7	8	9
TMF									

Pos.1 - Mounting Flange

- A** - 2-Bolt flange, SAE A, spigot diam. 82.5, BC 106.35, Bolt diam. 13.5
- B** - 2-Bolt flange, SAE B, spigot dia. 101.6, BC 146, Bolt dia. 14.3

Pos.2 - Port Type

- omit - Side ports on opposite sides
- E** - Rear ports

Pos.3 - Displacement Code

- 22** - 22.15 cm.³/rev.
- 28** - 28.47 cm.³/rev.

Pos.4 - Shaft Extensions*

- SD** - ø21.72 Spline SAE 13T 16/32 DP, M8-6H thread
- SF** - ø24.9 Spline SAE 15T 16/32, M8-6H thread
- CK** - ø22.2 Straight, M8-6H thread
Parallel key 1/4"x1/4"x1" BS46
- ML** - ø25 Straight, M8-6H thread
Parallel key A8x7x25 DIN6885

* The permissible output torque for shafts must not be exceeded!

Pos.5 - Port Size

- 2** - 2xG1/2, drain ports G1/2

Pos.6 - Seal, Corrosion Resistant Seal Surface

- omit - NBR seal type material
- V** - FKM seal type material

Pos.7 - Integrated Valves

- See next page for information about valves
- omit - None
- FLU** - Flush valve
- DAR** - Dual anti-cavitation and relief valve
(Option DAR are not available for Pos. 2 option E)

Pos.8 - Pressure Setting of Integrated Valves

- omit - None
- x** - For value - see next page

Pos.9 - Flow Setting of Integrated Valves

- omit - None
- Lx** - For value - see next page

TMF 28 Motors Series

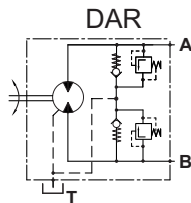
Valve Options

The overall dimensions of the motor with integrated valves could vary compared to the standard motors.

Option DAR

Combined Anti-Cavitation and Relief Valve

- Anti-cavitation check valve is used for applications such as Fan drive control;
- Pressure relief valves prevent excessive pressures in the high pressure loop.



Please, consider the following possible values:

Pos.8

250	300	350
-----	-----	-----

 → pressure

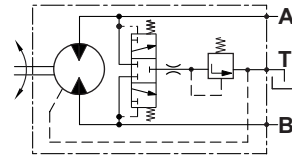
EXAMPLE

TMF B28SD2DAR350

Double Anti-Cavitation and Relief Valve, relief valve setting 350 bar

Option FLU

FLUSH VALVE



- Mainly used in close loop circuit;
- The valve is a combination between a purge valve and check valve;
- Flow rate by **default (omit) - 3 ÷ 7 lit/min and charge (opening) pressure 16 bar** with 20 bar feed pressure for close loop circuit;
- For other options, please see Pos.8 and Pos. 9 of ordering code, considering the following possible values:

Pos.8

omit	10
------	----

 → pressure

Pos.9

omit	L3.5	L5.5
------	------	------

 → flow rate

EXAMPLE

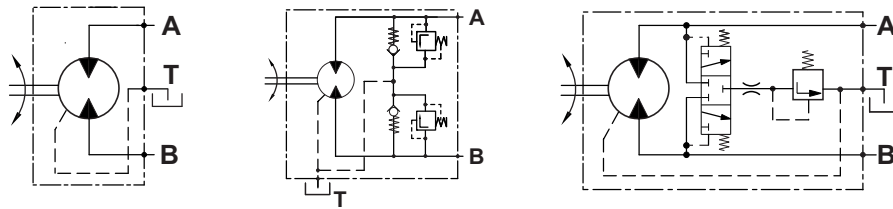
TMF B28SD2FLU flow rate 5±2 lit/min, charge pressure 16 bar

TMF B28SD2FLU10L5.5 flow rate 5.5±1 lit/min, charge pressure 10 bar

TMF B28SD2FLUL3.5 flow rate 3.5±1 lit/min, charge pressure 16 bar

Hydraulic Motors Type TMF 50

Heavy Duty Axial Piston Motors Fixed Displacement



open drain line is always required

APPLICATION

- Agricultural machines
- Road building machines
- Mining machinery
- Food industry machines
- Swing drives
- Hydraulic transmissions
- Vibration machines
- Fan drives
- Special vehicles

OPTIONS

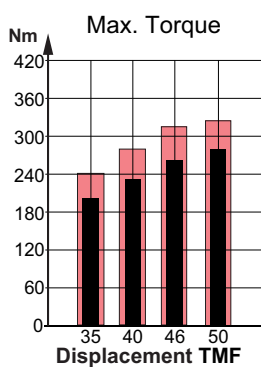
- Swash plate
- Port options
- Shaft options
- High pressure ports
- Integrated valves

ADVANTAGES

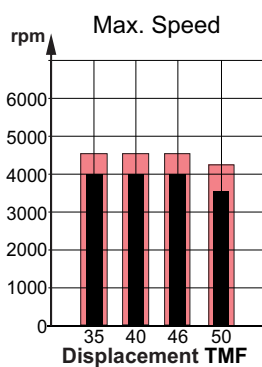
- High starting torque
- Smooth operation
- Long service life
- High power density

GENERAL

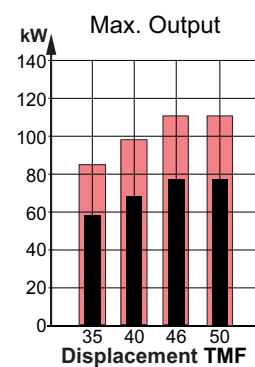
Displacement,	cm ³ /rev	36,16÷49.94
Max. Speed,	RPM	4000
Max. Torque,	Nm	278
Max. Output,	kW	76
Max. Pressure Drop,	bar	350
Max. Oil Flow,	lpm	180
Min. Speed,	RPM	500
Fluid	Mineral based - HLP (DIN 51524) or HM (ISO 6743/4)	
Temperature Range,	°C	-40÷82
Optimal Viscosity Range,	mm ² /s	12÷68
Filtration	ISO code 18/16/13 (Min. recommended fluid filtration of 10 micron)	



Intermittent values

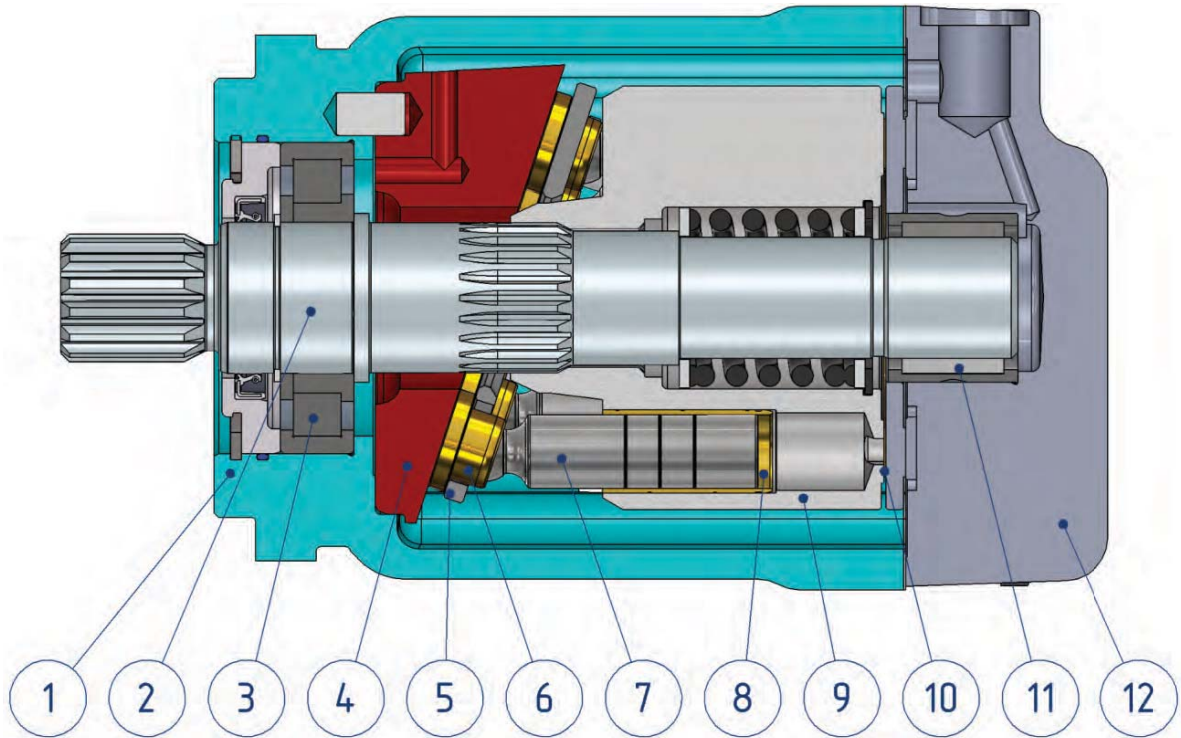


Continuous values



TMF 50 Motors Series

SECTION VIEW



1. Cast iron body.
2. Hardened shaft.
3. Robust radial - axial roller bearing.
4. Solid swash plate.
5. Retainer plate.
6. Improved piston shoes.
7. Improved pistons.
8. Brass bushings.
9. Hardened steel cylinder block.
10. Bimetal distributor.
11. Needle bearing.
12. Solid end cover.

The heavy duty design of the TMF motor gains big advantage over the typical swash plate motors. The starting torque is close to the starting torque of the bent axis motors and the total efficiency of our design in normal working modes is similar to the bent axis motors. The main advantage of our design over the bent axis motors is that the pulsations and vibrations during the operation are much less. Another advantage is that the swash plate motors are more reliable than the bent axis motors.

TMF 50 Motors Series
SPECIFICATION DATA

Type		TMF 35	TMF 40	TMF 46	TMF 50
Displacement, cm.³/rev.		36.16	41.59	47.13	49.94
Max. Speed, RPM	Cont.	4000	4000	4000	3600
	Int.*	4500	4500	4500	4200
Max. Torque,*** Nm	Cont.	202	232	263	278
	Int.**	242	278	315	326
Output, kW	Cont.	58	67	76	76
	Int.**	84	97	110	110
Max. Pressure, bar	Cont.	350	350	350	350
	Int.**	420	420	420	410
Max. Oil Flow, lpm	Cont.	145	167	189	180
	Int.*	163	187	212	210
Permissible Shaft Load					
max Axial**** N	N	Fa=2000			
max Radial**** N	N	Fr=3600			
Min. Speed, RPM		500			
Max. Pressure in Drain Line, bar		5 open drain line is always required			
Weight, kg		17.8			

- * Intermittent speed (flow): for pressure up to 150 bar;
 ** Intermittent load: the permissible values may occur for max. 10% of every minute;
 *** Theoretical torque;
 **** The calculated max values are based on the optimal direction of the forces Fr, Fa and optimal position of the shaft.

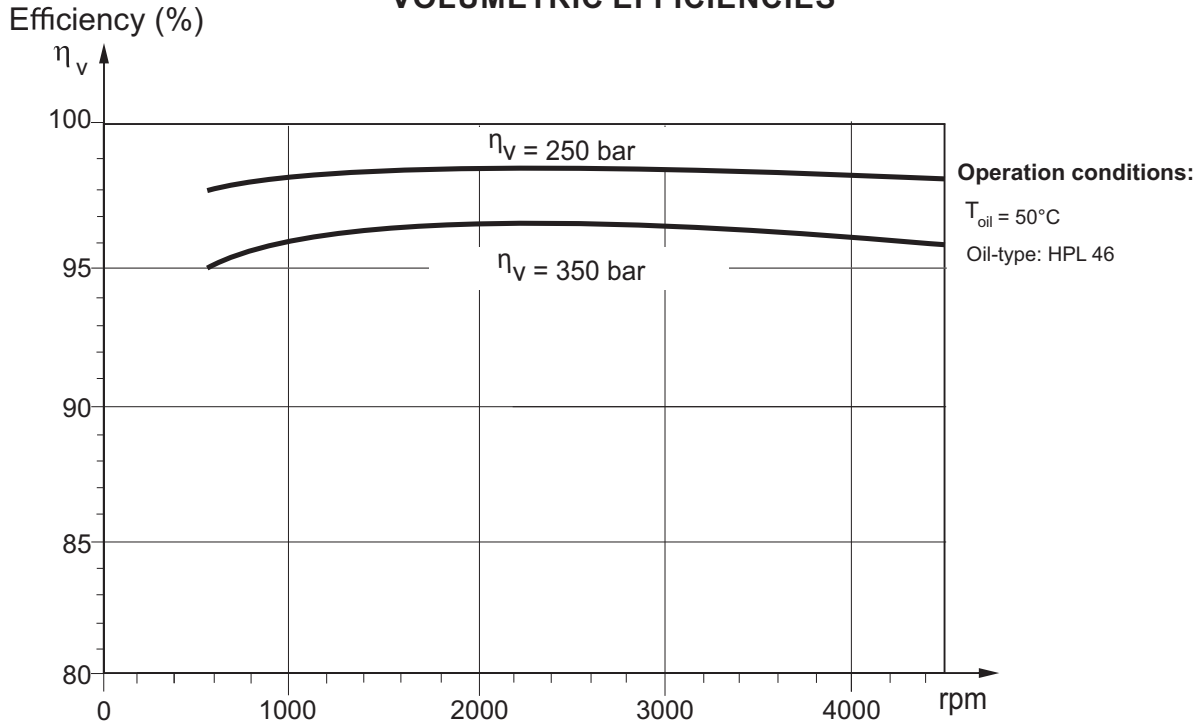
1. The recommended output power for continuous operations should not be exceeded.
2. Recommended filtration as per ISO 4406 cleanliness code 18/16/13 or better. This filtration corresponds to SAE AS 4059 8A/7B/7C. Nominal filtration - 10 micron or better.
3. Recommended a premium quality, anti-wear type mineral based hydraulic oil, HLP (DIN 51524) or HM (ISO 6743/4).
4. Recommended oil viscosity - 12...68 cSt or see page 37.
5. Recommended maximum system operating temperature -82°C.
6. To ensure optimum life of the motor, fill it up with fluid prior to load it and run with moderate load and speed for about 10-15 minutes.

TMF 50 Motors Series

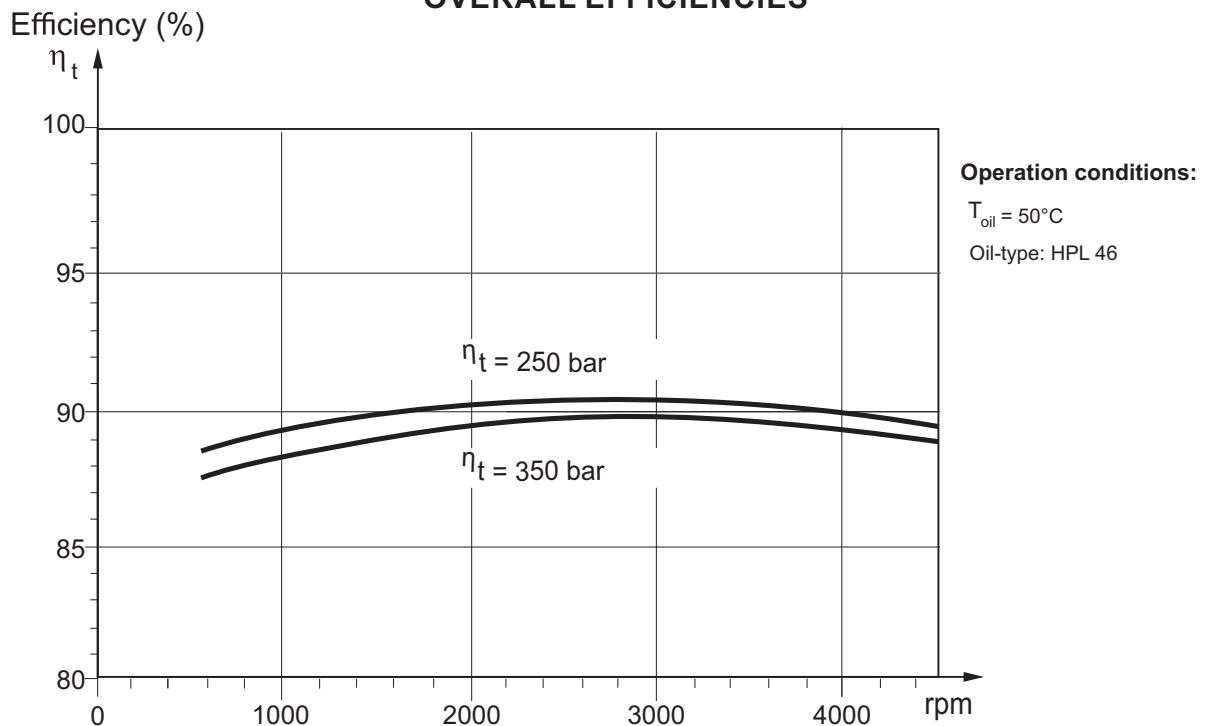
FUNCTION DIAGRAMS

The below efficiencies are applied for all displacements.

VOLUMETRIC EFFICIENCIES



OVERALL EFFICIENCIES



The motor size, pressure, torque, speed of rotation and flow rate required for a specific application can be calculated using the formulas on page 38.

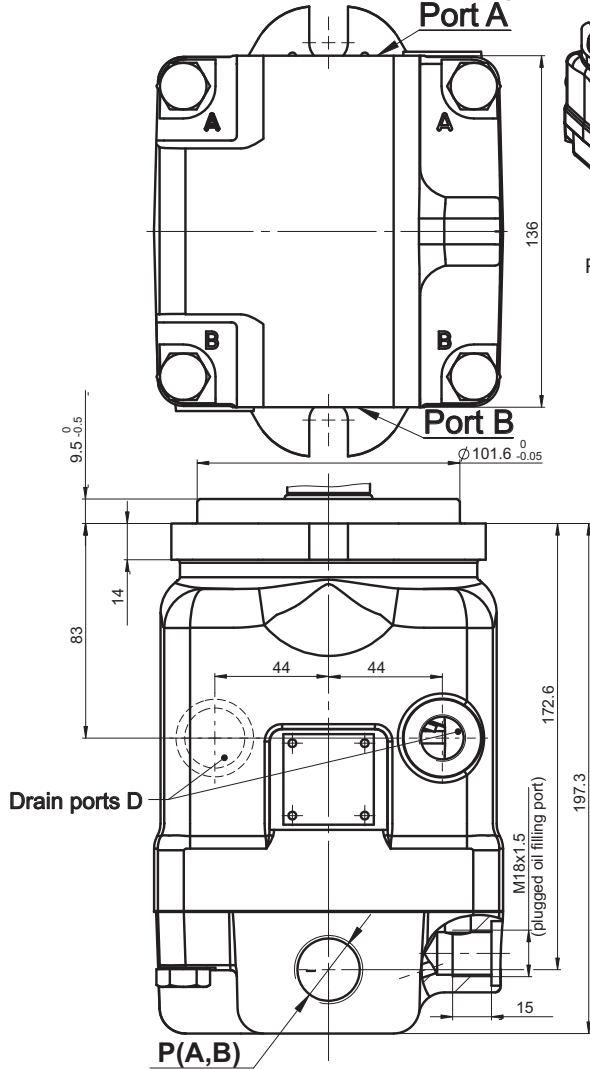
Efficiencies for a particular motor may vary from the shown in the diagram depending on the operating conditions.

TMF 50 Motors Series

Overall Dimensions and Ports

Side ports - Standard

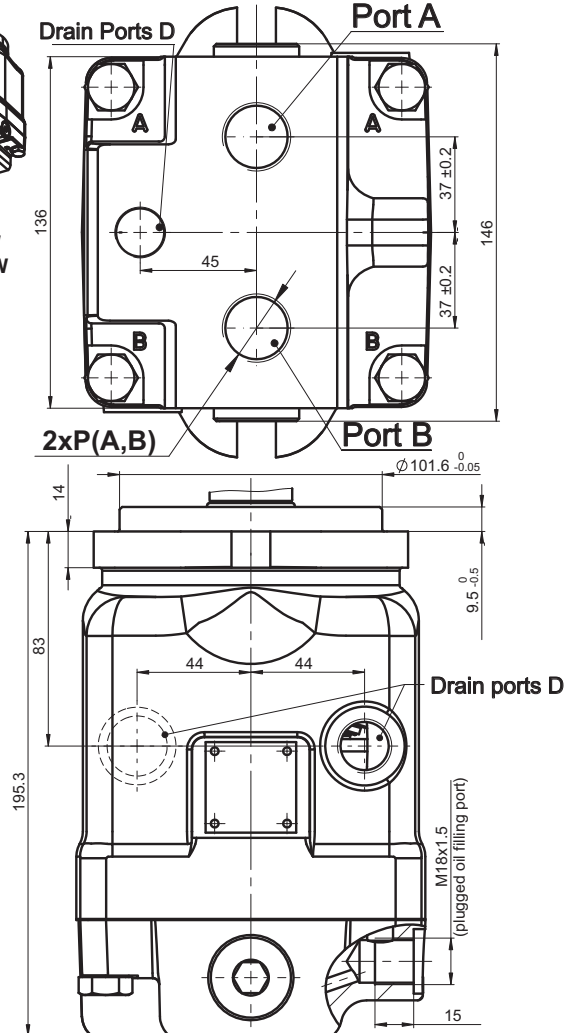
See the port sizes at the bottom of this page



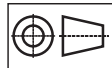
Standard Rotation
Viewed from shaft end
Port A Pressurized - CW
Port B Pressurized - CCW

Rear ports - Type E

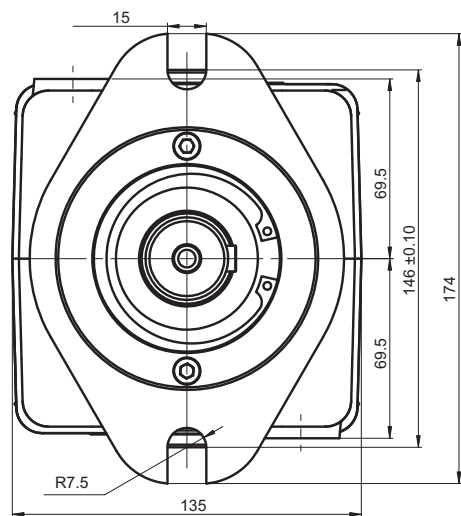
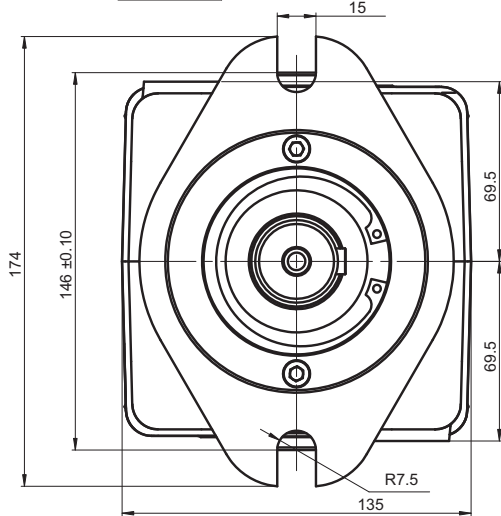
See the port sizes at the bottom of this page



Shaft Mounting
see the next page



mm [in]

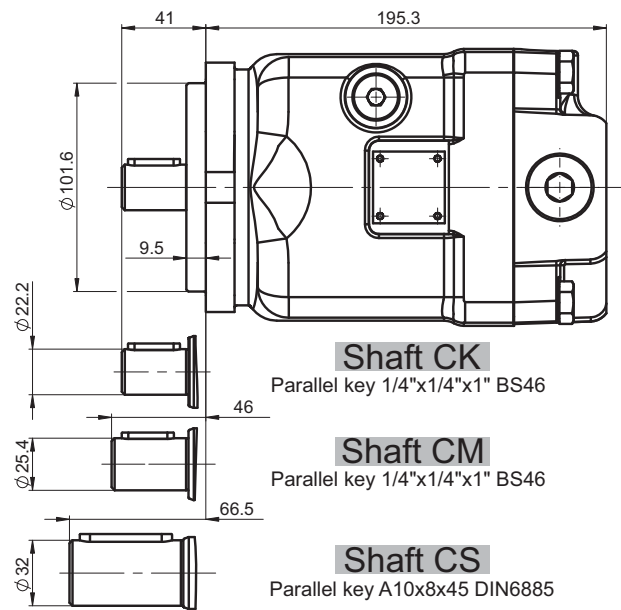
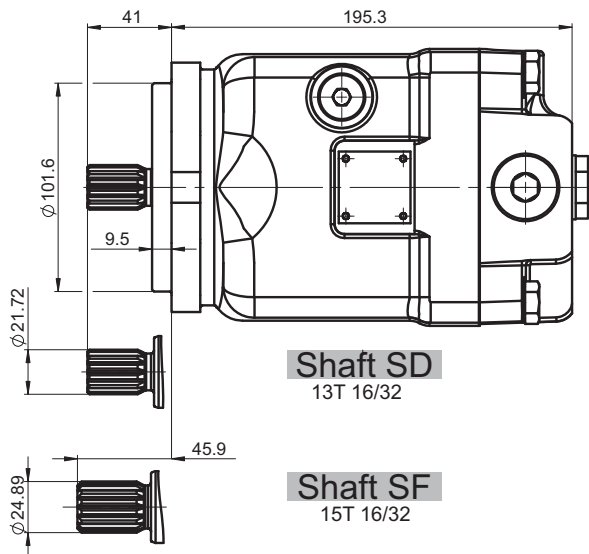


Port Size	
P _(A,B)	2xG 3/4
D	G 1/2

Port Size	
P _(A,B)	2xG 3/4
D	G 1/2

TMF 50 Motors Series

Shafts Mounting

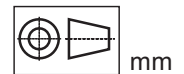


Shaft Dimensions
See Page 32+33

PERMISSIBLE SHAFT LOAD

Permissible shaft load		
max Axial	N	Fa=2000
max Radial	N	Fr=3600

The calculated max values are based on the optimal direction of the forces Fr, Fa and optimal position of the shaft (see page 34).



TMF 50 Motors Series

ORDERING CODE

	1	2	3	4	5	6	7	8	9
T M F									

Pos.1 - Mounting Flange

- B** - SAE B - 2-Bolt flange
spigot diam. 101.6 mm - BC 146 mm

Pos.2 - Port Type

- omit - Side ports on opposite sides
E - Rear ports

Pos.3 - Displacement Code

- 35** - 36.16 cm.³/rev.
40 - 41.59 cm.³/rev.
46 - 47.13 cm.³/rev.
50 - 49.94 cm.³/rev.

Pos.4 - Shaft Extensions*

- SD** - ø21.72 Spline SAE 13T 16/32 DP, M8
SF - ø24.9 Spline SAE 15T 16/32, M8-6H
SK - ø31.75 Spline SAE 14T 12/24 DP, M10
CK - ø22.2 Straight, M8-6H thread
Parallel key 1/4"x1/4"x1" BS46
CM - ø25.4 Straight, M8-6H thread
Parallel key 1/4"x1/4"x1" BS46
CS - ø32 Straight, M8-6H thread
Parallel key A10x8x45 DIN6885

* The permissible output torque for shafts must not be exceeded!

Pos.5 - Port Size

- 2** - 2xG3/4, drain ports G1/2
6 - 2xG1/2, drain ports G1/2

Pos.6 - Seal, Corrosion Resistant Seal Surface

- omit - NBR seal type material
V - FKM seal type material

Pos.7 - Integrated Valves

- See next page for information about valves
omit - None
FLU - Flush valve
DAR - Dual anti-cavitation and relief valve
(Option DAR are not available for Pos. 2 option E)

Pos.8 - Pressure Setting of Integrated Valves

- omit - None
x - For value - see next page

Pos.9 - Flow Setting of Integrated Valves

- omit - None
Lx - For value - see next page

TMF 50 Motors Series

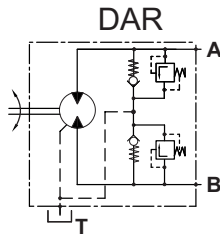
Valve Options

The overall dimensions of the motor with integrated valves could vary compared to the standard motors.

Option DAR

Combined Anti-Cavitation and Relief Valve

- Anti-cavitation check valve is used for applications such as Fan drive control;
- Pressure relief valves prevent excessive pressures in the high pressure loop.



Please, consider the following possible values:

Pos.8

250	300	350
-----	-----	-----

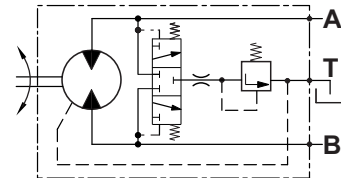
 → pressure

EXAMPLE

TMF B 4 6 S H 2 D A R 3 5 0

Double Anti-Cavitation and Relief Valve, relief valve setting 350 bar

**Option FLU
FLUSH VALVE**



- Mainly used in close loop circuit;
- The valve is a combination between a purge valve and check valve;
- Flow rate by **default (omit) - 4 ÷ 8 lit/min and charge (opening) pressure 16 bar** with 20 bar feed pressure for close loop circuit;
- For other options, please see Pos.8 and Pos. 9 of ordering code, considering the following possible values:

Pos.8

omit	10
------	----

 → pressure

Pos.9

omit	L3.5	L5.5
------	------	------

 → flow rate

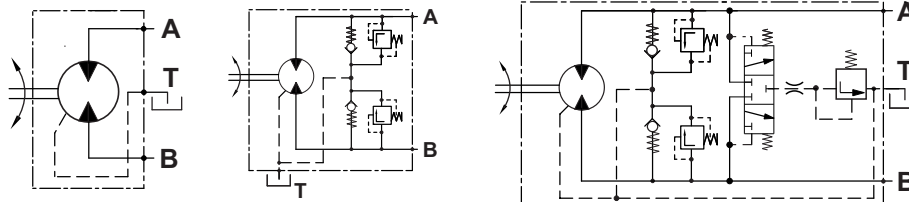
EXAMPLE

TMF B 4 6 S H 2 F L U flow rate 6±2 lit/min, charge pressure 16 bar

TMF B 4 6 S H 2 F L U 1 0 L 5.5 flow rate 5.5±1 lit/min, charge pressure 10 bar

TMF B 4 6 S H 2 F L U L 3.5 flow rate 3.5±1 lit/min, charge pressure 16 bar

Hydraulic Motors Type TMF 100
Heavy Duty Axial Piston Motors Fixed Displacement



open drain line is always required

APPLICATION

- Agricultural machines
- Road building machines
- Mining machinery
- Food industry machines
- Swing drives
- Hydraulic transmissions
- Vibration machines
- Fan drives
- Special vehicles

OPTIONS

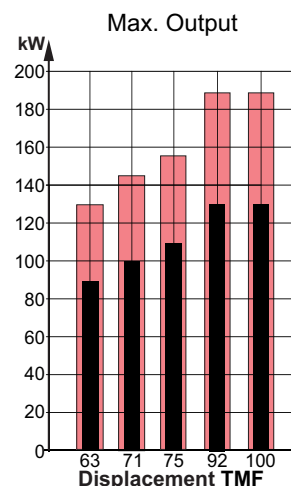
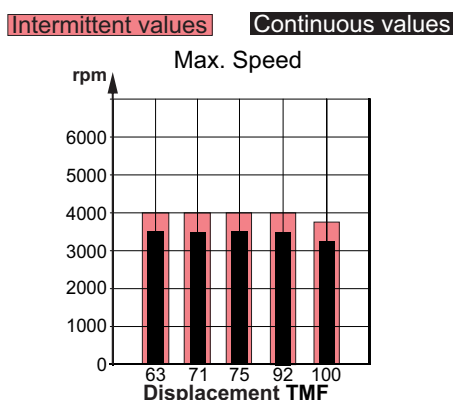
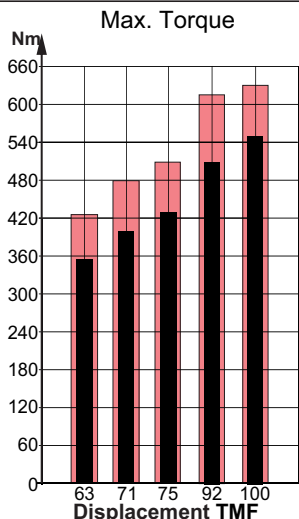
- Swash plate
- Flange options
- Port options
- Shaft options
- High pressure ports
- Integrated valves

ADVANTAGES

- High starting torque
- Smooth operation
- Long service life
- High power density

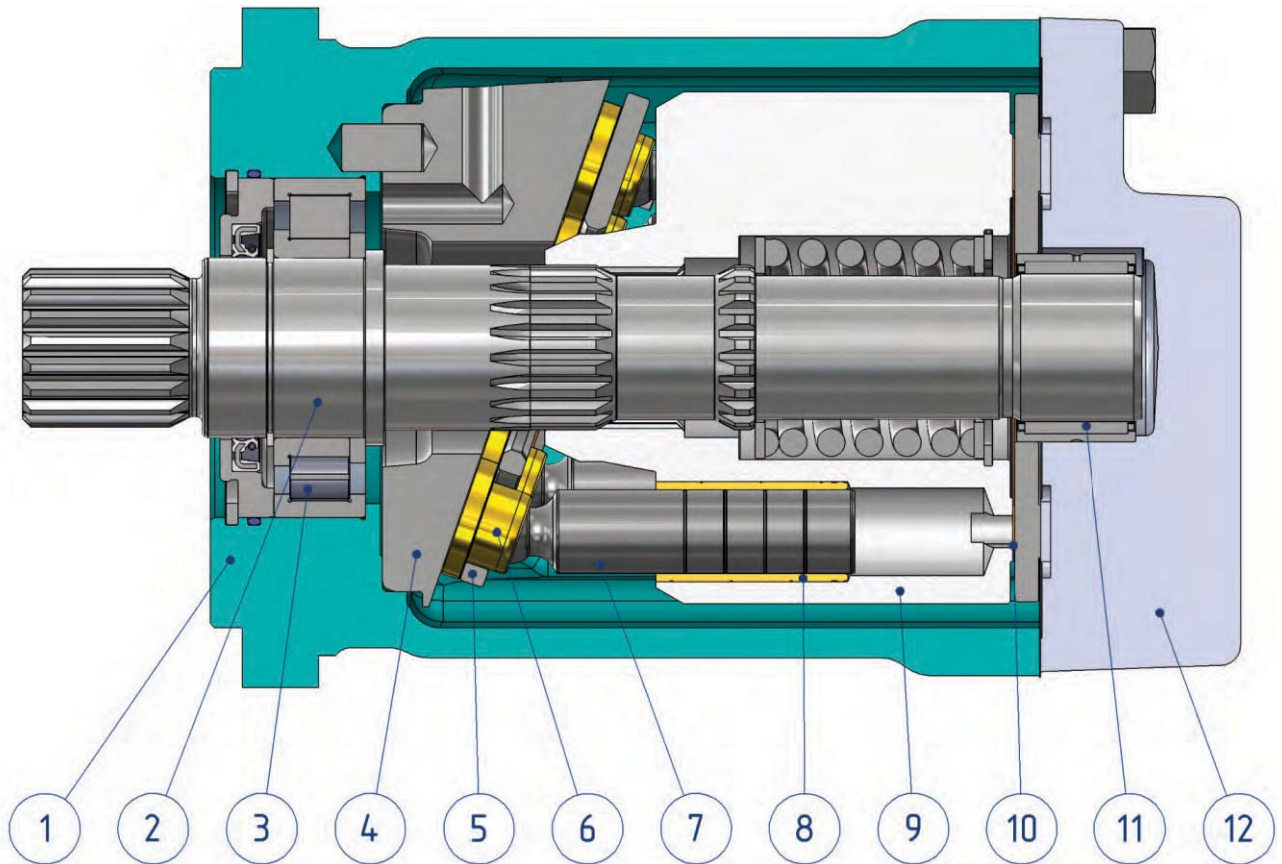
GENERAL

Displacement,	cm ³ /rev	63.58÷98.75
Max. Speed,	RPM	3500
Max. Torque,	Nm	550
Max. Output,	kW	130
Max. Pressure Drop,	bar	350
Max. Oil Flow,	lpm	326
Min. Speed,	RPM	500
Fluid	Mineral based- HLP (DIN 51524) or HM (ISO 6743/4)	
Temperature Range,	°C	-40÷82
Optimal Viscosity Range,	mm ² /s	12÷68
Filtration	ISO code 18/16/13 (Min. recommended fluid filtration of 10 micron)	



TMF 100 Motors Series

SECTION VIEW



- 1. Cast iron body
- 2. Hardened shaft
- 3. Robust radial - axial roller bearing
- 4. Solid swash plate
- 5. Retainer plate
- 6. Improved piston shoes
- 7. Improved pistons
- 8. Brass bushings
- 9. Hardened steel cylinder block
- 10. Bimetal distributor
- 11. Needle bearing
- 12. Solid end cover

The heavy duty design of TMF motor gains big advantage over the typical swash plate motors. The starting torque is close to the starting torque of the bent axis motors and the total efficiency of our design in normal working modes is similar to the bent axis motors. The main advantage of our design over the bent axis motors is that the pulsations and vibrations during the operation are much less. Another advantage is that the swash plate motors are more reliable than the bent axis motors.

TMF 100 Motors Series
SPECIFICATION DATA

Type		TMF 63	TMF 71	TMF 75	TMF 92	TMF 100
Displacement cm. ³ /rev.		63.58	71.5	76.84	93.18	98.75
Max. Speed [RPM]	Cont.	3500	3500	3500	3500	3240
	Int.*	4000	4000	4000	4000	3750
Max. Torque *** Nm	Cont.	354	398	428	514	550
	Int.**	425	478	514	616	645
Output kW	Cont.	89	100	108	130	130
	Int.**	129	145	156	188	188
Max. Pressure bar	Cont.	350	350	350	350	350
	Int.**	420	420	420	420	410
Max. Oil Flow lpm	Cont.	223	250	269	326	320
	Int.*	255	286	308	373	370
Permissible Shaft Load						
max Axial****	N	Fa=2500				
max Radial****	N	Fr=4500				
Min. Speed [RPM]		500				
Max. Pressure in Drain Line, bar		5 open drain line is always required				
Weight kg		32.5				

* Intermittent speed (flow) is for pressure up to 150 bar.

** Intermittent load: the permissible values may occur for max. 10% of every minute.

*** Theoretical torque

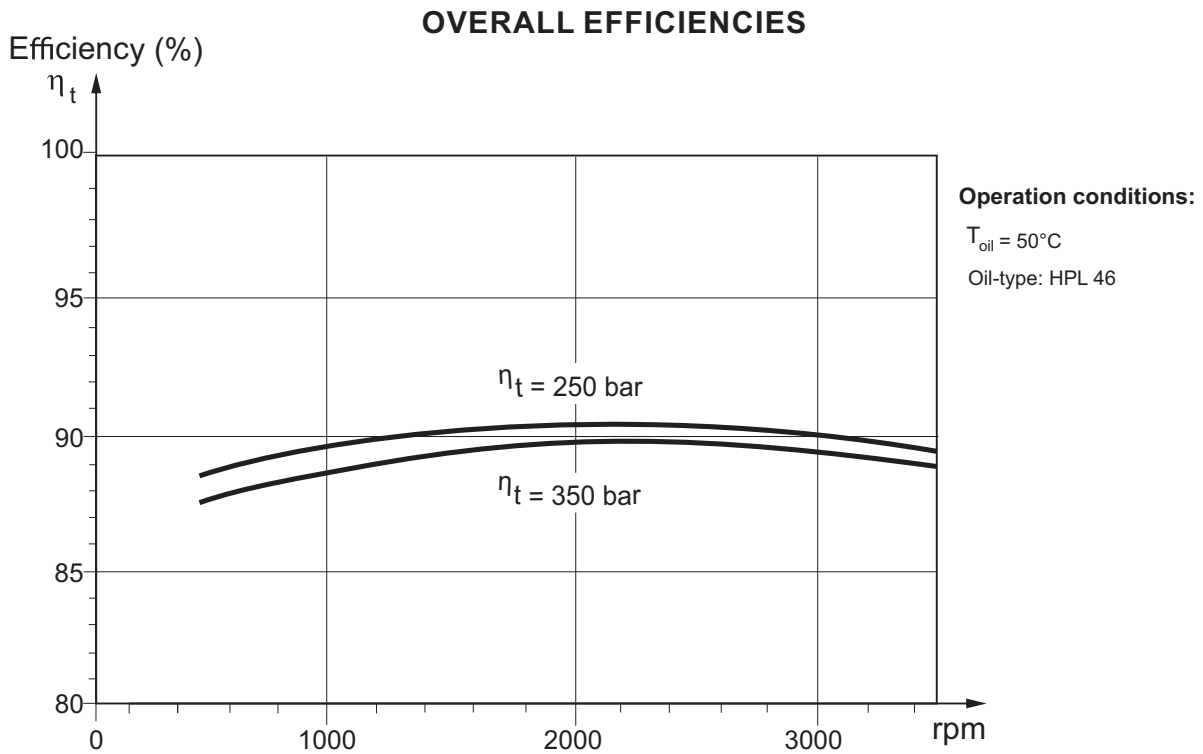
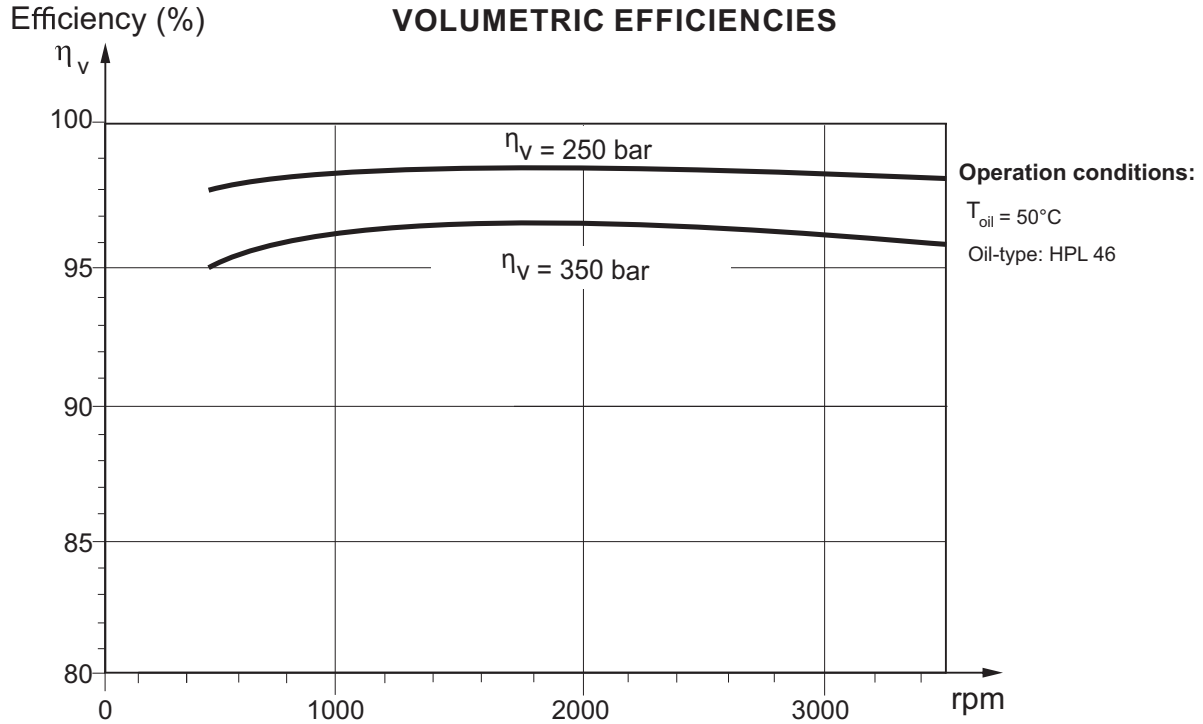
**** The calculated max values are based on the optimal direction of the forces Fr, Fa and optimal position of the shaft.

1. The recommended output power for continuous operations should not be exceeded.
2. Recommended filtration as per ISO 4406 cleanliness code 18/16/13 or better. This filtration corresponds to SAE AS 4059 8A/7B/7C. Nominal filtration - 10 micron or better.
3. Recommended using of a premium quality, anti-wear type mineral based hydraulic oil, HLP(DIN51524) or HM(ISO6743/4).
4. Recommended oil viscosity - 15...30 cSt or see page 37.
5. Recommended maximum system operating temperature 80°C.
6. To ensure optimum life of the motor, fill it up with fluid prior to load it and run with moderate load and speed for about 10-15 minutes.

TMF 100 Motors Series

FUNCTION DIAGRAMS

The below efficiencies are applied for all displacements.



The motor size, pressure, torque, speed of rotation and flow rate required for a specific application can be calculated using the formulas on page 38.

Efficiencies for a particular motor may vary from the shown in the diagram depending on the operating conditions.

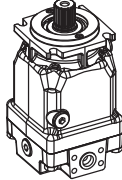
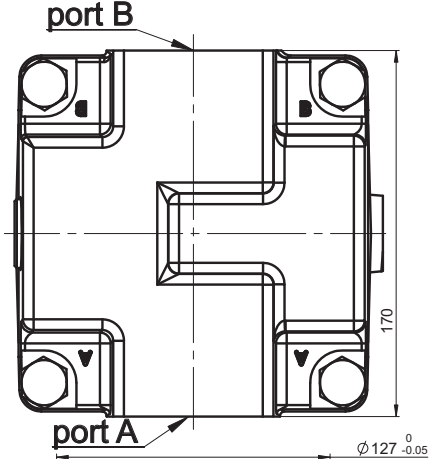
TMF 100 Motors Series

Overall Dimensions and Ports

Side Ports - **Default** Mounting Flange - Type **SAE-4C**

Side ports, port size 2

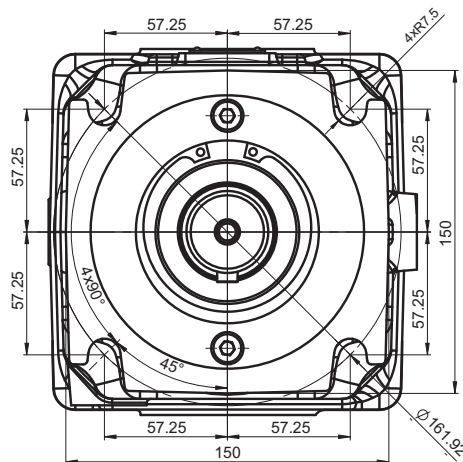
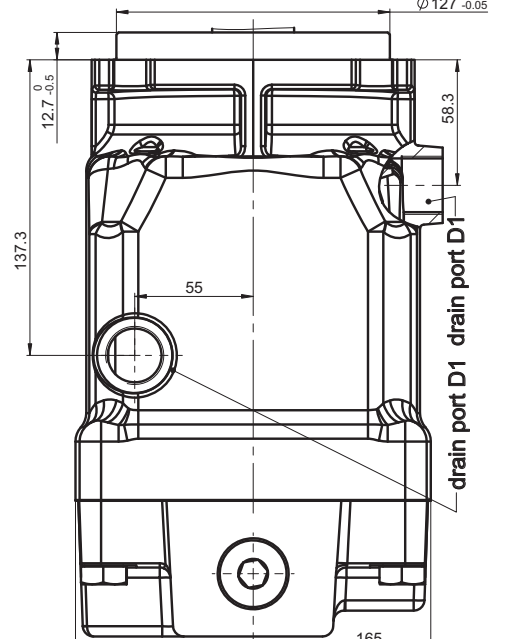
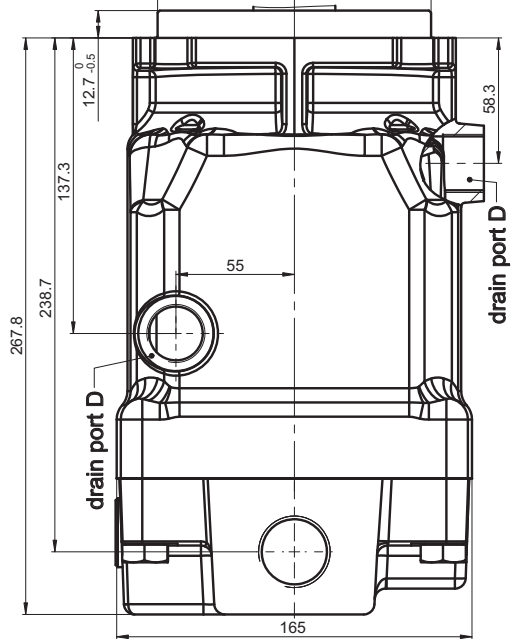
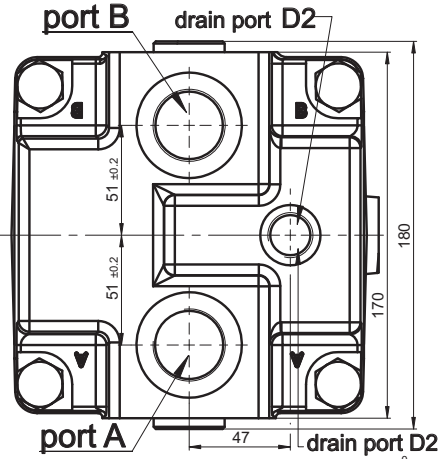
See the port sizes at the bottom of this page



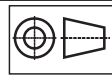
Standard Rotation
Viewed from shaft end
Port A Pressurized - CW
Port B Pressurized - CCW

Rear ports E, port size 2

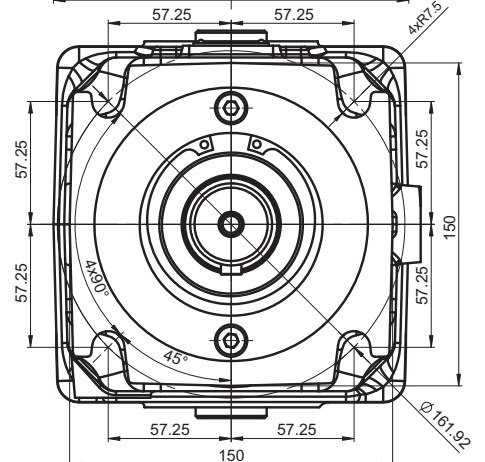
See the port sizes at the bottom of this page



Shaft Mounting
see the next page



mm

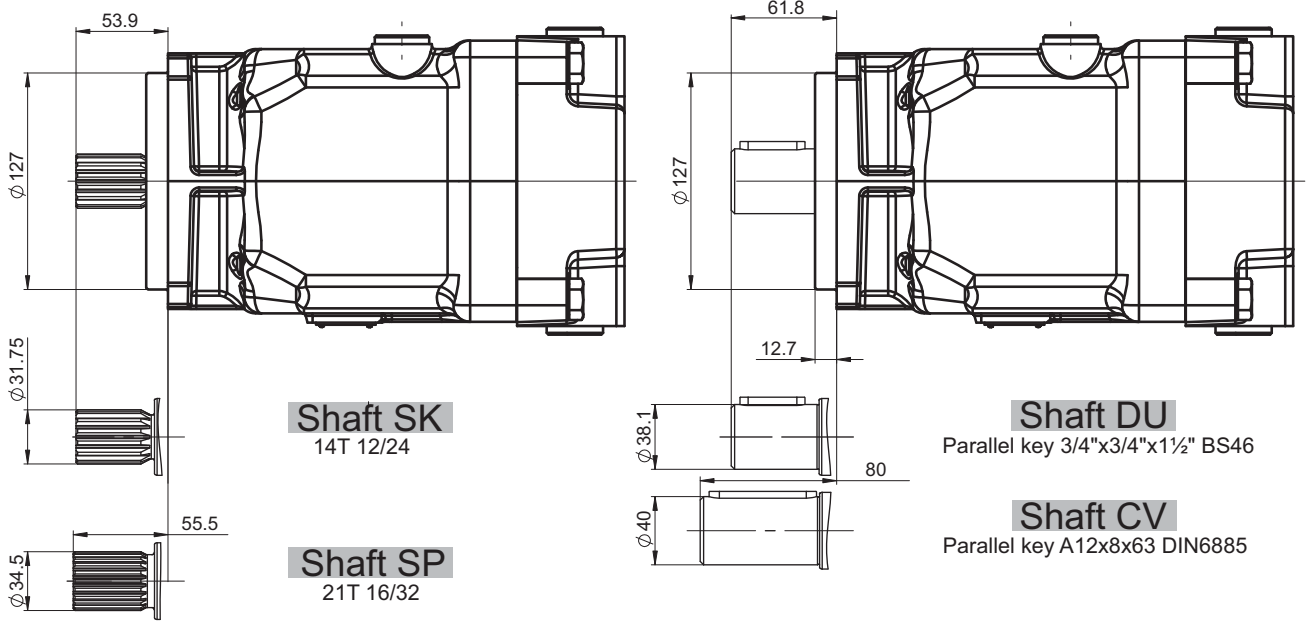


Port Size	
	2
P _(A,B)	2xG 1
D	G 3/4

Port Size	
	2
P _(A,B)	2xG 1
D1	G 3/4
D2	G 1/2

TMF 100 Motors Series

**Shafts Mounting
Flange - Type SAE-4C**

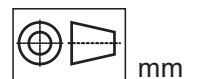


Shaft Dimensions
See Page 32+33

PERMISSIBLE SHAFT LOAD

Permissible shaft load		
max Axial	N	Fa=2500
max Radial	N	Fr=4500

The calculated max values are based on the optimal direction of the forces Fr, Fa and optimal position of the shaft (see page 34).



TMF 100 Motors Series

ORDERING CODE

	1	2	3	4	5	6	7	8	9
TMF									

Pos.1 - Mounting Flange

- 4C*** - SAE C - 4-Bolt flange
spigot diam. 127 mm - BC 161.92 mm

* Available on enquiry

Pos.2 - Port Type

- omit - Side ports on opposite sides
- E** - Rear ports

Pos.3 - Displacement Code

- 63** - 63.58 cm.³/rev.
- 71** - 71.5 cm.³/rev.
- 75** - 76.84 cm.³/rev.
- 92** - 93.18 cm.³/rev.
- 100** - 98.75 cm.³/rev.

Pos.4 - Shaft Extensions**

- SK** - ø31.75 Spline SAE 14T 12/24 DP, M10
- SP** - ø34.5 Spline SAE 21T 16/32 DP, M12
- DU** - ø38.1 Straight, key 9.528
L38.1, 3/8-16 UNC thread
- CV** - ø40 Straight, M12-6H thread
Parallel key A12x8x63 DIN6885

** The permissible output torque for shafts must not be exceeded!

Pos.5 - Ports

- 2** - 2xG1, drain G3/4, for rear drain ports G1/2

Pos.6 - Seal, Corrosion Resistant Seal Surface

- omit - NBR seal type material
- V** - FKM seal type material

Pos.7 - Integrated Valves

- See next page for information about valves
- omit - None
- FLU** - Flush valve
- DAR** - Dual anti-cavitation and relief valve

Pos.8 - Pressure Setting of Integrated Valves

- omit - None
- x** - For value - see next page

Pos.9 - Flow Setting of Integrated Valves

- omit - None
- Lx** - For value - see next page

TMF 100 Motors Series

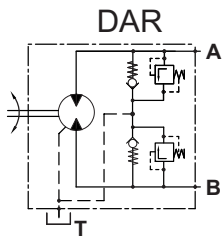
Valve Options

The overall dimensions of the motor with integrated valves could vary compared to the standard motors.

Option DAR

Combined Anti-Cavitation and Relief Valve

- Anti-cavitation check valve is used for applications such as Fan drive control;
- Pressure relief valves prevent excessive pressures in the high pressure loop.



Please, consider the following possible values:

Pos.8

250	300	350
-----	-----	-----

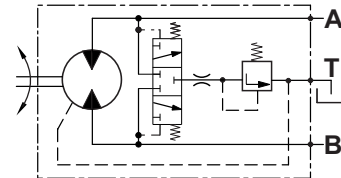
 → pressure

EXAMPLE

TMF4C100ST2DAR350

Double Anti-Cavitation and Relief Valve, relief valve setting 350 bar

**Option FLU
FLUSH VALVE**



- Mainly used in close loop circuit;
- The valve is a combination between a purge valve and check valve;
- Flow rate by **default (omit) - 5 ÷ 9 lit/min and charge (opening) pressure 16 bar** with 20 bar feed pressure for close loop circuit;
- For other options, please see Pos.8 and Pos. 9 of ordering code, considering the following possible values:

Pos.8

omit	10
------	----

 → pressure

Pos.9

omit	L5.5	L9
------	------	----

 → flow rate

EXAMPLE

TMF4C100ST2FLU flow rate 7±2 lit/min, charge pressure 16 bar

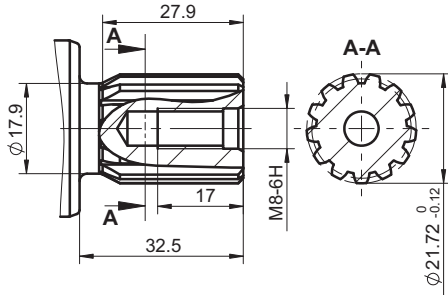
TMF4C100ST2FLU10L5.5 flow rate 5.5±1 lit/min, charge pressure 10 bar

TMF4C100ST2FLUL9 flow rate 9±1 lit/min, charge pressure 16 bar

Shaft Types and Dimensions

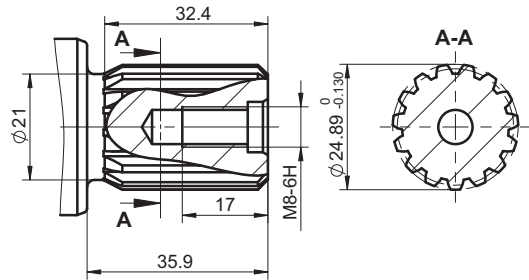
SD

ø21.72, M8-6H thread
13T 16/32 DP splined ANSI B92.1-1970
 Max. torque 220 Nm



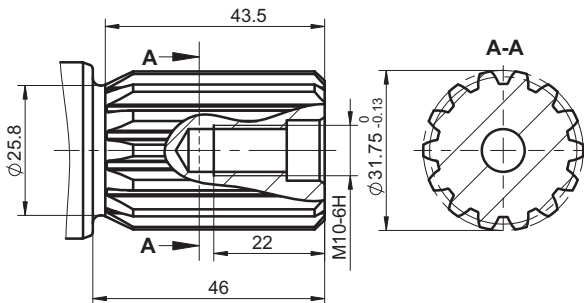
SF

ø24.89, M8-6H thread
15T 16/32 DP splined ANSI B92.1-1970
 Max. torque 360 Nm



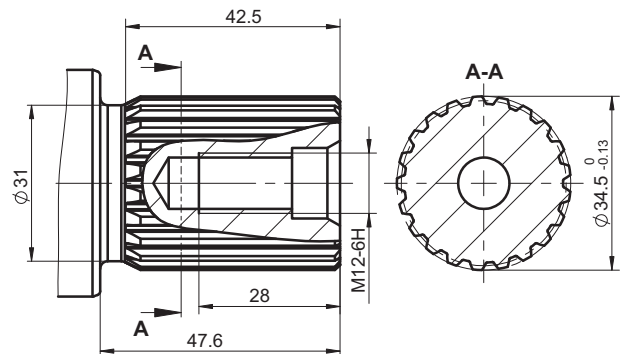
SK

ø31.75, M10-6H thread
14T 12/24 DP splined ANSI B92.1-1970
 Max. torque 600 Nm

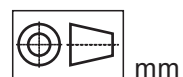


SP

ø34.5, M12-6H thread
21T 16/32 DP splined ANSI B92.1-1970
 Max. torque 1085 Nm



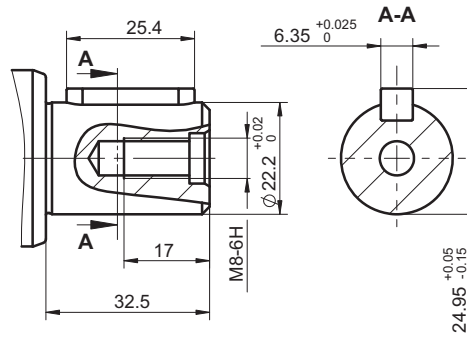
The required max. torque
 must not be exceeded



Shaft Types and Dimensions

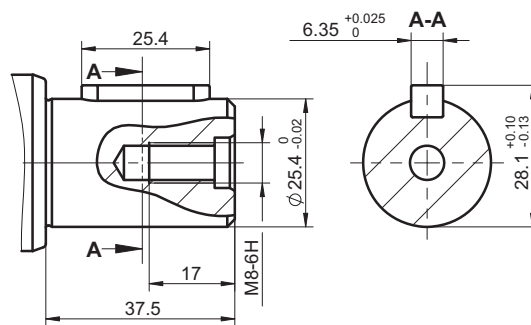
CK

ø22.2, straight, M8-6H thread
Parallel key **1/4"x1/4"x1"** BS46
Max. torque 180 Nm



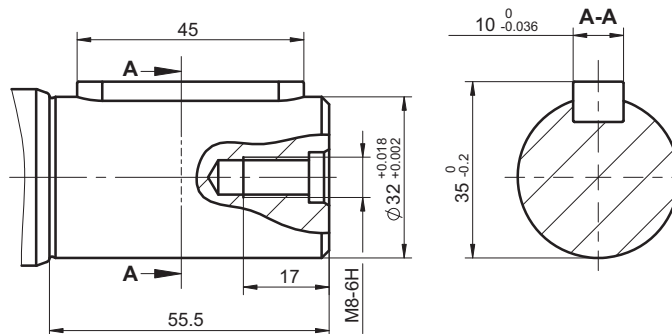
CM

ø25.4, straight, M8-6H thread
Parallel key **1/4"x1/4"x1"** BS46
Max. torque 250 Nm

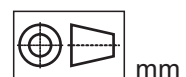


CS

ø32, straight, M8-6H thread
Parallel key **A10x8x45** DIN6885
Max. torque 565 Nm



The required max. torque
must not be exceeded

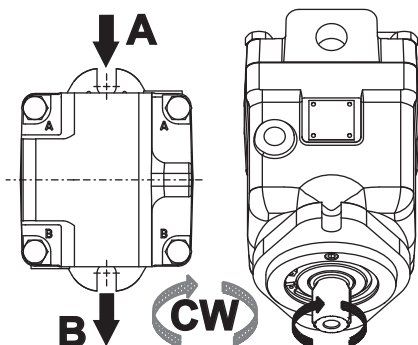


INSTALLATION

DIRECTION OF ROTATION

Standard Rotation

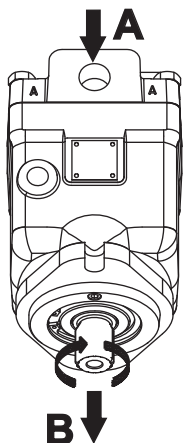
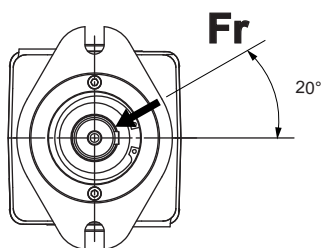
Viewed from shaft end
Port A Pressurized - CW
Port B Pressurized - CCW



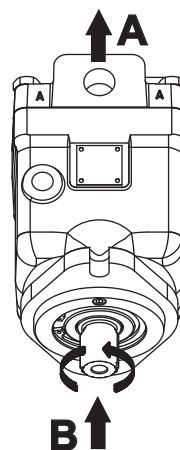
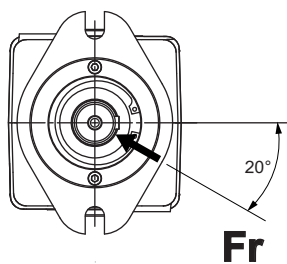
BEST POSITION FOR APPLYING RADIAL LOAD

Optimal position for applying radial load depending on the direction of rotation

Standard Rotation

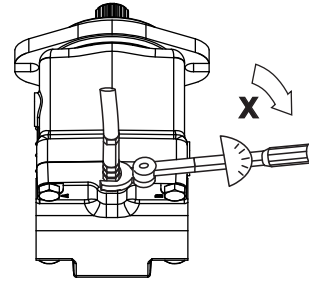
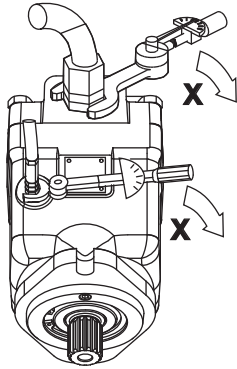


Reverse Rotation



INSTALLATION

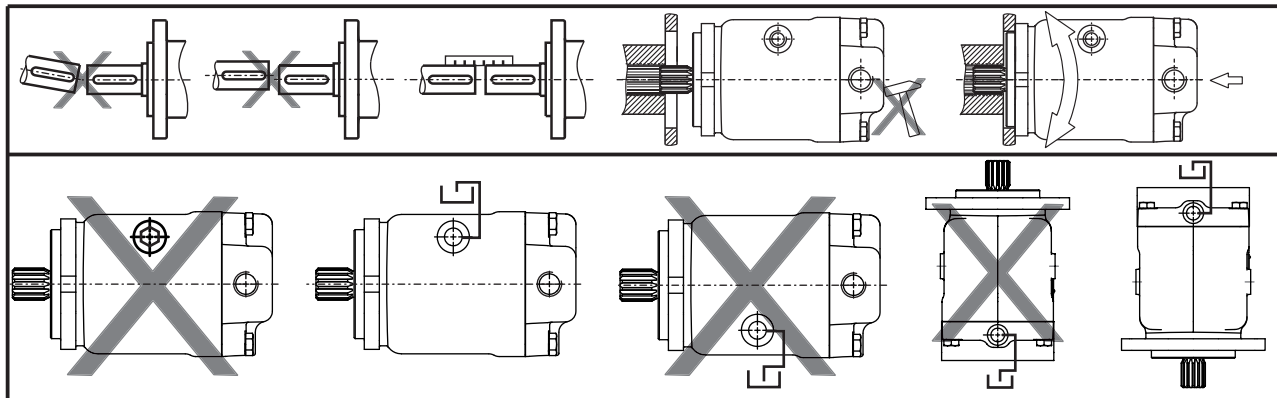
Recommended max. tightening torque X for metal plugs and orifice



Screwed connection	Max. Tightening Torque X, daNm			
	With copper washer	With aluminium washer	With cutting edge	With "O" ring
G 1/4	2	3	4	2
G 3/8	2	5	6	2
G 1/2	3	8	10	3
G 3/4	5	13	16	5
G 1	8	20	25	8

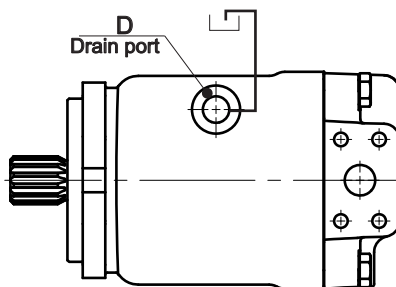
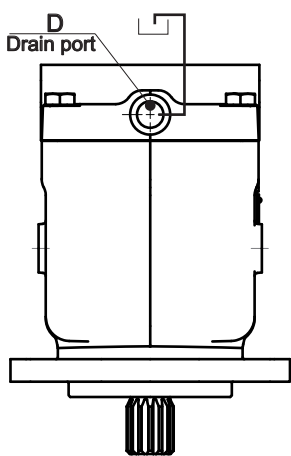
INSTALLATION

At start-up and during operation the motor (pump) housing has to be filled up with hydraulic fluid. Start-up has to be carried out at low or moderate speed and without load (for example 1000 rpm and pressure 50 bar till the motor (pump) and the hydraulic scheme are filled up with oil. Generally the start-up needs 10-15 minutes to finish. The leakage oil in the housing has to be discharged to the tank through the highest positioned drain port D. The max. pressure in the drain line is 5 bar.



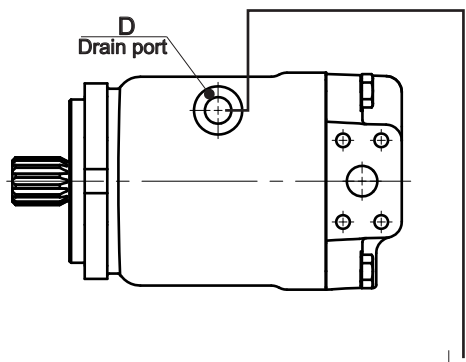
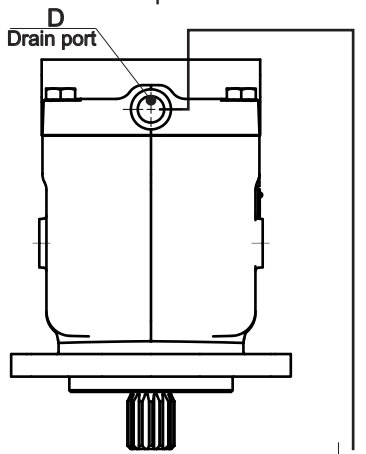
Installation below the tank level (recommended)

- Fill up the axial piston motor (pump) before the start-up through the highest positioned drain port D;
- Operate the motor (pump) at low speed till the motor system is completely filled up;
- The minimum immersion depth of the drain line in the tank is 200 mm relative to the minimum oil level in the tank.



Installation on top of the tank level

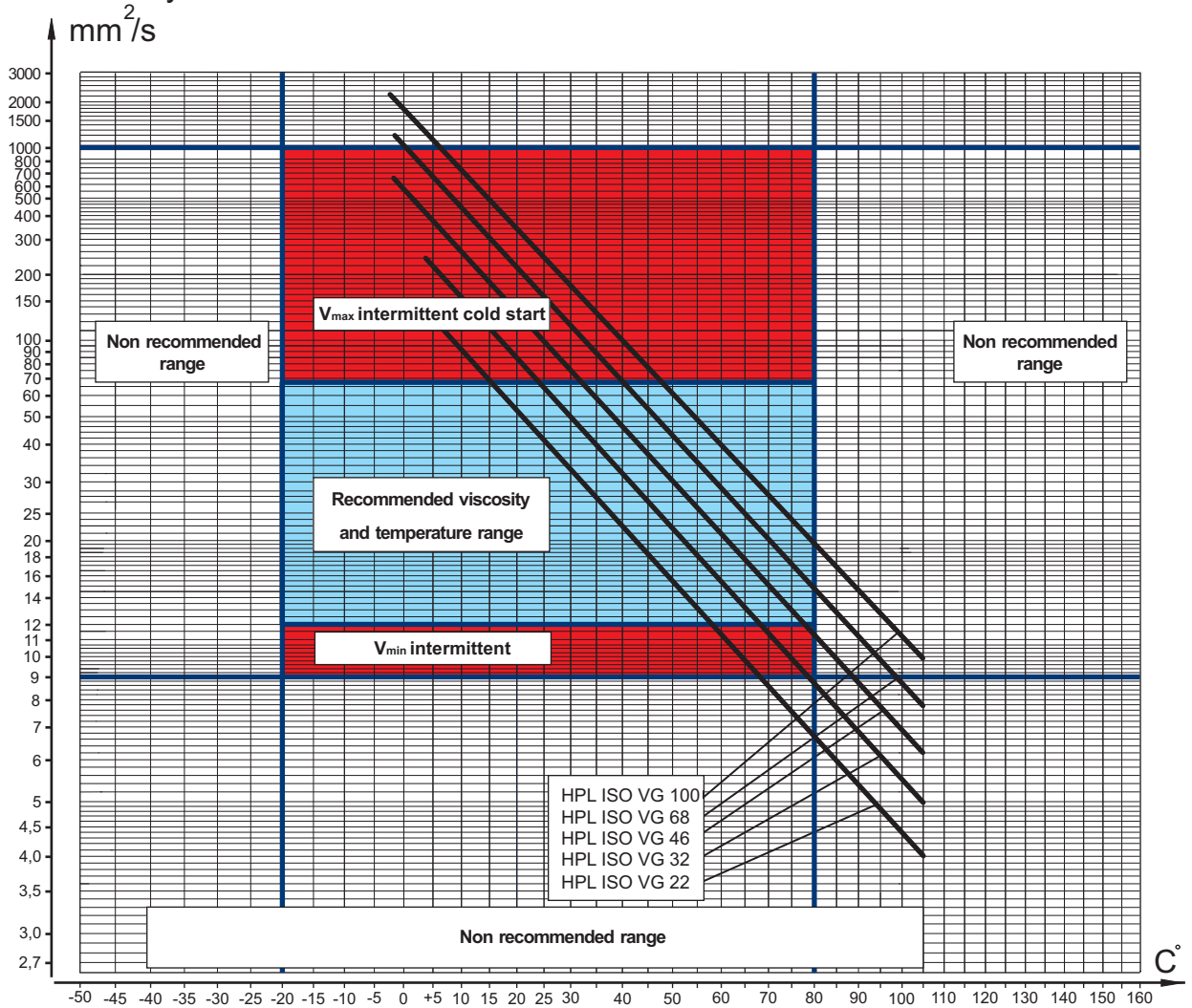
- Fill up the axial piston motor (pump) before the start-up through the highest positioned drain port D;
- Operate the motor (pump) at low speed till the motor system is completely filled up;
- The minimum immersion depth of the drain line in the tank is 200 mm relative to the minimum oil level in the tank.



Fluid Viscosity Limits

In order to obtain optimum efficiency and service life, we recommend to select the operating viscosity (at operating temperature) within the range shown on diagram below.

Kinematic viscosity



Temperature

The above - shown viscosity characteristics are for reference only. Please, check the actual viscosity with the manufacturer of the fluid.

Basic Formulas

The motor(pump) size, pressure and flow required for a specific application can be calculated using the formulas below.

Metric System

Efficiency	$\eta_t = \eta_{mh} \cdot \eta_v$ $\eta_{mh} = \frac{\eta_t}{\eta_v}$ $\eta_v = \frac{\eta_t}{\eta_{mh}}$	
Input flow (for Motor)	$Q = \frac{Vg \cdot n}{1000 \cdot \eta_v}$	[l/min]
Output torque (for Motor)	$M = \frac{Vg \cdot \Delta p \cdot \eta_{mh}}{62,8}$	[Nm]
Output power (for Motor)	$P = \frac{M \cdot n}{9550} = \frac{Q \cdot \Delta p \cdot \eta_t}{60}$	[kW]
Speed (for Motor)	$n = \frac{Q \cdot 1000 \cdot \eta_v}{Vg}$	[min ⁻¹]
Output flow (for pump)	$Q = \frac{Vg \cdot n \cdot \eta_v}{1000}$	[l/min]
Driving torque (for pump)	$M = \frac{Vg \cdot \Delta p}{62,8 \cdot \eta_{mh}}$	[Nm]
Input power (for pump)	$P = \frac{M \cdot n}{9550} = \frac{Q \cdot \Delta p}{60 \cdot \eta_t}$	[kW]
	Vg = Displacement per rev.	[cm ³]
	$\Delta p = p_{HP} - p_{LP}$	[bar]
	p _{HP} = High pressure	[bar]
	p _{LP} = Low pressure	[bar]
	η_v = Volumetric efficiency	
	η_{mh} = Mechanical-hydraulic efficiency	
	η_t = Overall efficiency	

Application Formulas

Motor speed: n

$$n = \frac{2,65 \cdot v_{km} \cdot i}{R_m}$$

v_{km} - vehicle speed [km/h]

R_m - wheel rolling radius [m]

i - gear ratio between motor and wheels.

If no gearbox, use i=1.

Total tractive effort: TE, N

Total tractive effort **TE** is the total effort necessary for vehicle motion i.e. the sum of the calculated forces increased by 10 % because of air resistance.

$$TE = 1,1 \cdot (RR + GR + FA + DP)$$

RR - force required to overcome the rolling resistance

GR - force required to slope upwards

FA - force required to accelerate (acceleration force)

DP - additional tractive effort (trailer)

Motor Torque moment: M, Nm

Necessary torque for the hydraulic motor:

$$M = \frac{TE \cdot R_m}{N \cdot I \cdot \eta_M}$$

I – motor numbers

η_M - mechanical gearbox efficiency (if it is available)

Radial motor loading: P_{rad}, N

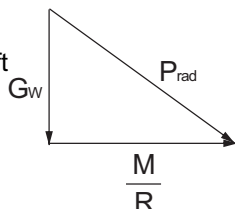
When the motor is used for motion with a ring or gear mounted directly on the motor shaft, the total radial load of the motor shaft **P_{rad}** is the sum of the motion force and the weight force acting on ring.

G_w - Weight held by the shaft

P_{rad} - Total radial load of the motor shaft

M/R - Motion force

$$P_{rad} = \sqrt{G_w^2 + \left(\frac{M}{R}\right)^2}$$



Depending on the results of the load calculations, the most appropriate type of motor from the catalogue is selected.

As HANSA-TMP has a very extensive range of products and some products have a variety of applications, the information supplied may often only apply to specific situations.

If the catalogue does not supply all the information required, please contact HANSA-TMP.

In order to provide a comprehensive reply to queries we may require specific data regarding the proposed application.

Whilst every reasonable endeavour has been made to ensure accuracy, this publication cannot be considered to represent part of any contract, whether expressed or implied.

The data in this catalogue refer to the standard product. The policy of HANSA-TMP consists of a continuous improvement of its products. It reserves the right to change the specifications of the different products whenever necessary and without giving prior information.



HYDRAULIC COMPONENTS
HYDROSTATIC TRANSMISSIONS
GEARBOXES - ACCESSORIES

Via M. L. King, 6 - **41122 MODENA (ITALY)**
Tel: +39 059 415 711
Fax: +39 059 415 729 / 059 415 730
INTERNET: <http://www.hansatmp.it>
E-MAIL: hansatmp@hansatmp.it