



*fluid fluid under control*



## ELECTRIC ACTUATORS

on-off and proportional control of Ball Valves  
Butterfly Valves, Dampers

*Katit*  
ISO 9001:2008

CE  
0036

## General Features

## REA 40 and REA60 Electric Actuators Standard Features:

- Specially designed for quarter turn operating applications such as Ball, Butterfly, Plug valves, Dampers and similar usages.
- Its variation in wide range of output of torque control options fit your specific requirement. High grade aluminum alloy for housing provides compact and low weight
- High corrosion resistance due to hard anodizing on inside & outside and polyester coating on external surface.
- Various output torque from 40 Nm to 60 Nm
- Rugged construction with o-ring system supplying water and explosion proof.
- Easy mounting base standard to ISO 5211 (F03/F05/F07)
- Handwheel for manual operation.
- Standard 4 limit switches
- Space heater with thermostat for preventing overheat.
- LED lamps on indicator monitoring valve position and operation (option).
- Long Life - Cycle.



REA 40

## Option Features

- Proportional Control Unit (PCU), except REA 40 for all REA Electric Actuators.
- Position Indication Unit (PIU) for all REA Electric Actuators.
- 220 V AC / 110 V AC: for all REA Electric Actuators.
- 24 V DC / 24 V AC: REA 40, 60, 80, 150, 200, 300 series.
- Duty Cycle: S2: %100 max. 30 min.; S4: %70-%100 300 ... 1600 hours
- Thanks to its battery, system can be controlled like a spring-return. REA 80, 150, 200, 300 series.
- Smart type control unit: SICU (semi integral control unit), ICU (Intelligent Digital Control Unit ): REA 150 and upper series.
- Staying under water 72 hour (max. 10 m)



REA 60 microsection

## On-Off and Proportional Electric Actuator

## REA 40 and REA60 Electric Actuator Standard Features:

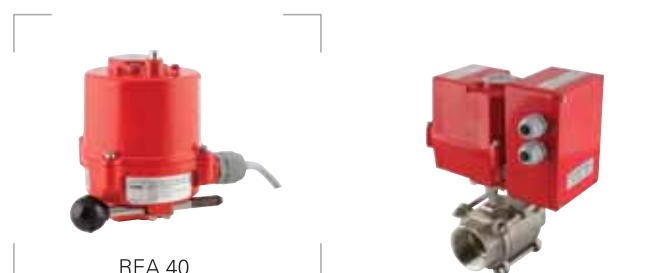
### Standard Features

- Materials** : Steel, aluminium alloy, al-bronze, polycarbonate.
- Torque Output** : 40 Nm ... 60Nm
- Enclosure** : Weatherproof enclosure IP67, NEMA 4 and 6
- Travel Angle** :  $90^\circ \pm 10^\circ$  ( $0^\circ \sim 110^\circ$ )
- Manuel Override** : Declutching mechanism (open and close)
- Power Supply** : 220V AC, 1PH (on request 110V AC / 24 VCD), (0,4A ... 0,19A)
- Motor** : Squirrel caged induction, reversible
- Limit Switches** : 2 x open / close, SPDT, 250 V AC, 10A rating (on request additional +2 switches)
- Ambient Temp.** :  $-20^\circ\text{C} \sim +70^\circ\text{C}$  (except option electronic board)
- Cable Connection** : 2 PG 13,5 fittings
- Flange Connection** : ISO 5211 standard (F03/F05/F07)
- Open and Close Time** : 12 - 14 seconds.
- Option Specification** : PCU Proportional control unit (input, output 4~20mA DC) (REA60)



On-Off Electric Actuator

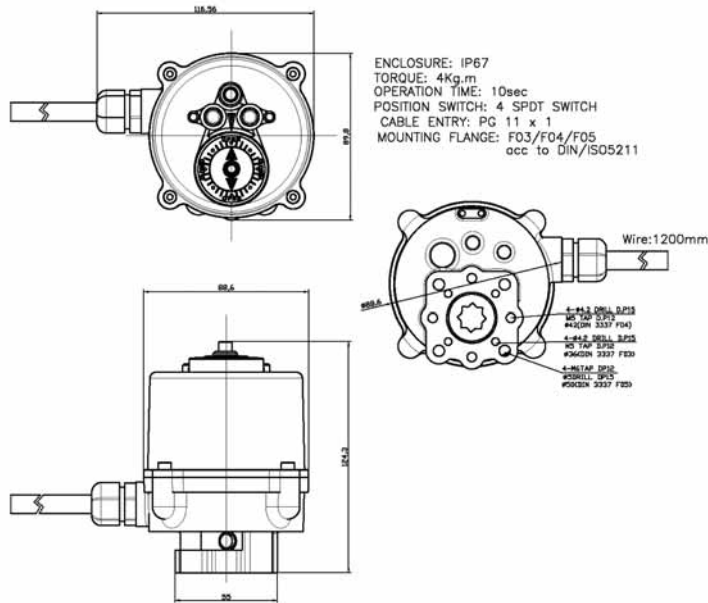
Proportional Electric Actuator



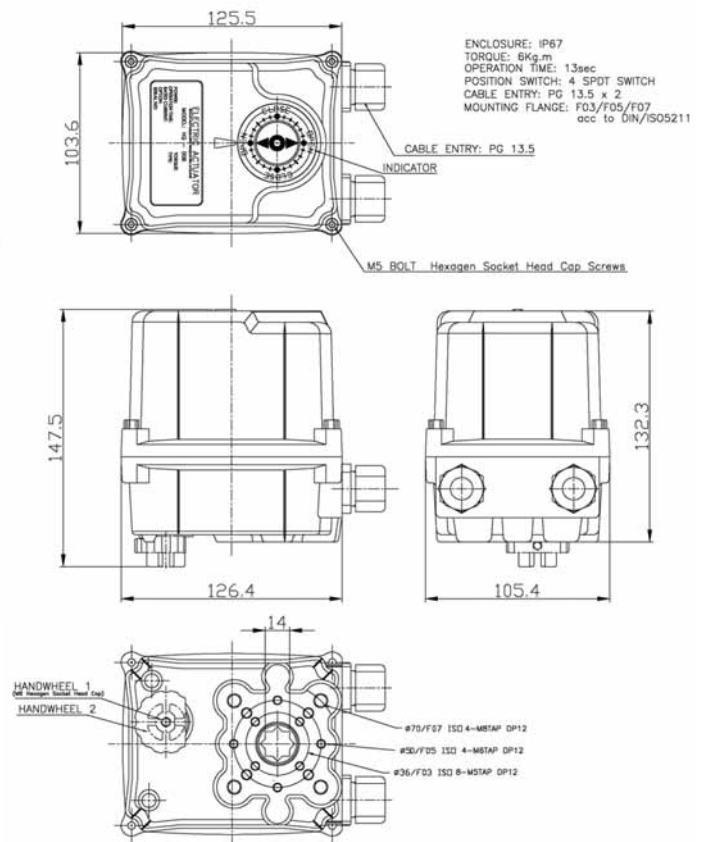
REA 40

## Dimensions

### REA 40

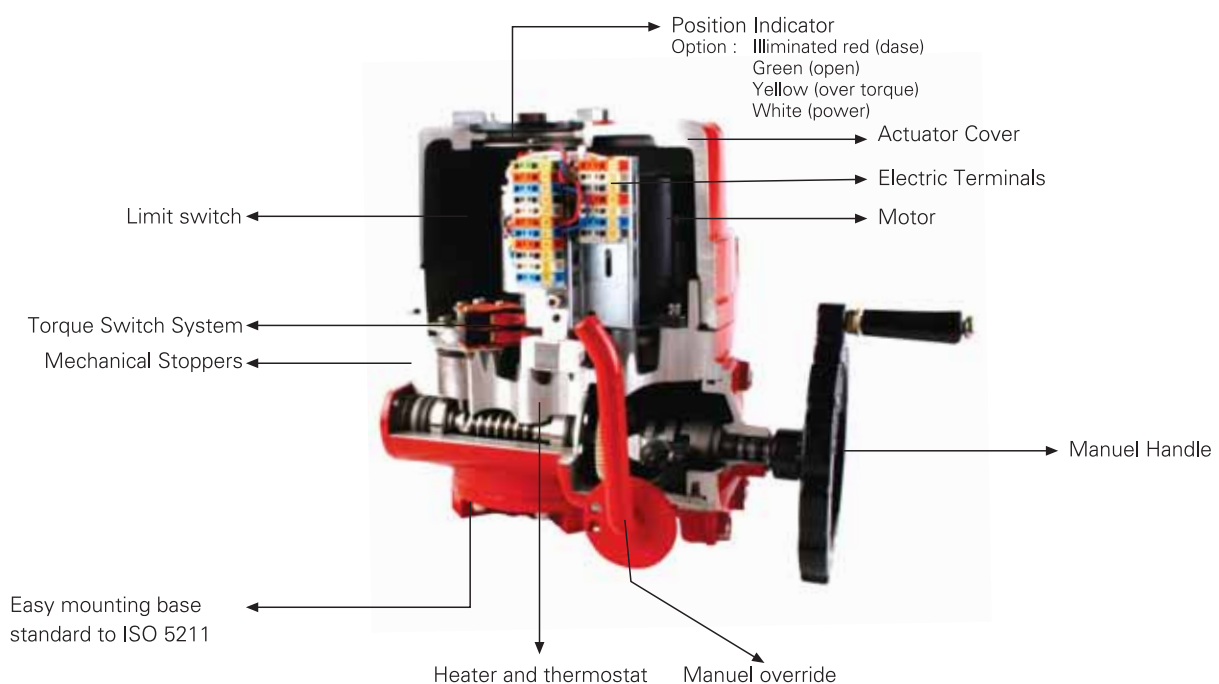


### REA 60



## REA80 ... REA3000 Series

## Construction of the Electric Actuator





## On-Off and Proportional Electric Actuator REA 80, REA1200 and REA3000 Electric Actuator Standard Features:

### Standard Features

<b>Materials</b>	: Steel, aluminium alloy, al-bronze, polycarbonate.
<b>Torque Output</b>	: 80 Nm ... 3000Nm
<b>Enclosure</b>	: Weatherproof enclosure IP67, NEMA 4 and 6. space heater 7~10W (110/220V AC) anti-condensation. (Optional IP68)
<b>Travel Angle</b>	: 90° ± 10° (0° ~ 110°)
<b>Manuel Override</b>	: Declutching mechanism located outside the body.
<b>Power Supply</b>	: 220V AC, 1PH (on request 110/380/ 440V AC three-phase circuit)
<b>Motor</b>	: Squirrel caged induction, reversible
<b>Limit Switches</b>	: 2 x open / close, SPDT, 250 V AC, 10A rating (on request add. +2 switches)
<b>Torque Switch</b>	: Open / close, SPDT, 250 V AC,
<b>Indicator</b>	: 10A rating (except HQ-008 continuous position indicator)
<b>Mechanical Stopper</b>	: 2 x external adjustable screws
<b>Ambient Humidity</b>	: 90% RH Max. (non-condensing)
<b>Ambient Temp.</b>	: -20 °C ~ + 70°C (except option electronic board)
<b>Cable Connection</b>	: 2 PG 13,5 fittings
<b>Flange Connection</b>	: ISO 5211 standard (F03/F05/F07)
<b>Open and Close Time</b>	: 13 ... 112 seconds (According to model) (50-60 Hz, 90° return)

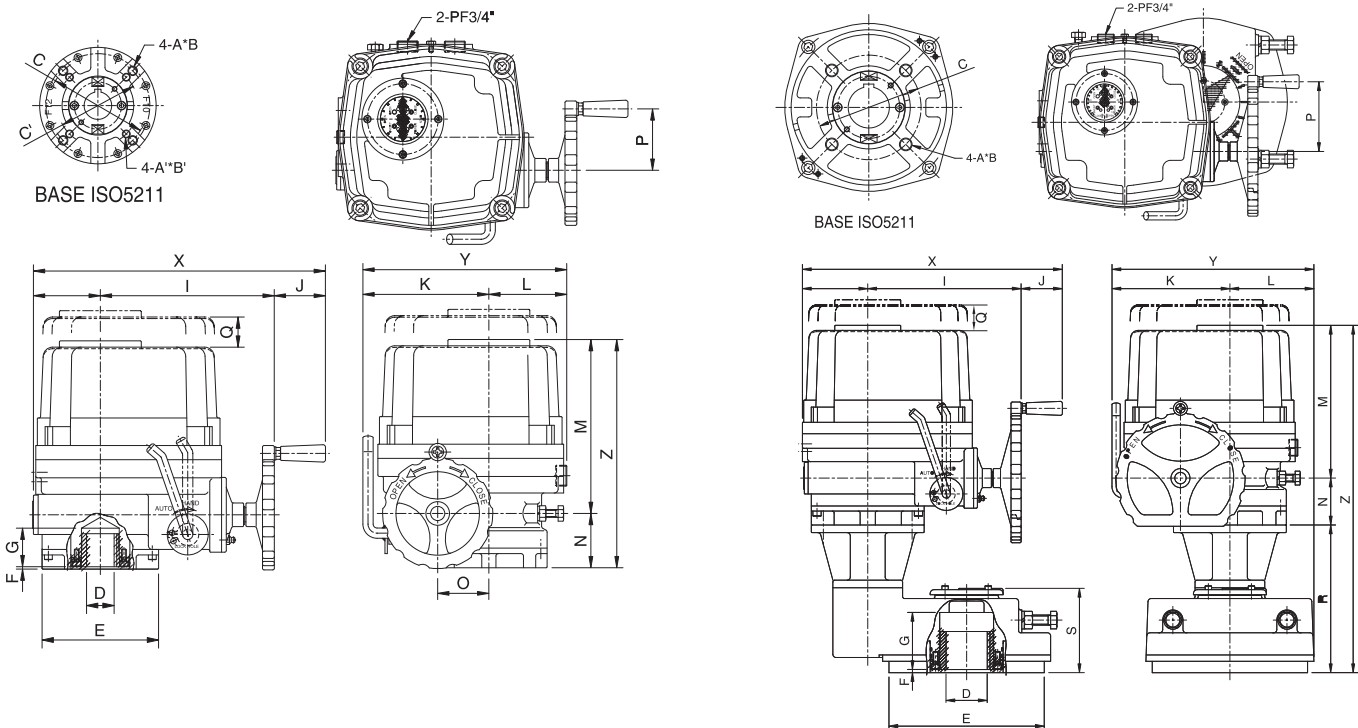


On-Off and Proportional Electric Actuator

### Dimensions

#### REA80, REA150, REA200, REA300, REA 600, REA800, REA1200

#### REA2000, REA3000



Model	Basel ISO521 1 Ø C	A B	D (max)	E	F	G	H	I	J	K	L	M	N	O	P	R	S	X	Y	Z
REA 80	F07	M8	20	88	3	32	50	157	51	100	70	182	53	40	60	-	-	258	170	235
	Ø70	12																		
REA 150	F07/F10	M8/M10	22	125	3	42	73	200	65	142	87	200	68	54	78	-	-	338	229	268
	Ø70/Ø102	12/15																		
REA 200	F07/F10	M8/M10	22	125	3	42	73	200	65	142	87	200	68	54	78	-	-	338	229	268
	Ø70/Ø102	12/15																		
REA 300	F10/F12	M10/M12	35	148	3	49	82	221	65	160	99	221	69	65	78	-	-	368	259	290
	Ø102/Ø125	15/18																		
REA 600	F10/F12	M12/M12	35	148	3	49	82	221	65	160	99	235	69	65	78	-	-	368	259	304
	Ø102/Ø125	15/18																		
REA 800	F12/F14	M12/M16	45	178	3	57	103	242	65	186	111	256	74	78	110	-	-	410	297	330
	Ø125/Ø140	18/24																		
REA 1200	F12/F14	M12/M16	45	178	3	57	103	242	65	186	111	256	74	78	110	-	-	410	297	330
	Ø125/Ø140	18/24																		
REA 2000	F14/F16	M16/M20	65	245	5	245	103	242	65	186	133	256	74	78	110	233	133	410	319	583
	Ø140/Ø165	24/30																		
REA 3000	F14/F16	M16/M20	65	245	5	90	103	242	65	186	133	256	74	78	110	233	133	410	319	563
	Ø140/Ø165	24/30																		

## RBP Electric Actuator Standard Features

REA B Series

- Rechargeable battery Backup electric motors is for emergency applications when power failed at site
- Battery support acts as spring-return
- In an emergency or power failure situation, valve can be operated 5 times on-off
- For REA 80 ... REA 3000 series



- Materials** : Steel, aluminium alloy, al-bronze, polycarbonate.
- Enclosure** : Weatherproof enclosure IP67, NEMA 4 and 6. space heater 7~10W (110/220V AC) anti-condensation. (Optional IP68)
- Travel Angle** : 90° ± 10° (0° ~ 110°)
- Manuel Override** : Declutching mechanism located outside the body.
- Power Supply** : 220V AC 1PH (on request 110/380/ 440V AC three-phase circuit)
- Motor** : Squirrel caged induction, reversible
- Limit Switch** : 2 x open / close, SPDT, 250 V AC 10A rating (on request additional +2 switches)

- Torque Switch** : Open / close, SPDT, 250 V AC, 10A rating
- Indicator** : (except HQ-008) continuous position indicator
- Mechanical Stopper** : 2 x external adjustable screws
- Ambient Humidity** : 90% RH Max. (non-condensing)
- Ambient Temp.** : -20 °C ~ + 70°C (except option electronic board)
- Cable Connection** : 2 PG 13,5 fittings
- Flange Connection** : ISO 5211 standard (F03/F05/F07)
- Open and Close Time** : 13 ... 112 seconds (According to model) (50-60 Hz, 90° return)

## Local Control Unit Electric Actuator

LCU-B Series

- Applied with REA 150 ... 3000 series
- 110 V AC / 220 V AC mono-phase application
- 220 V AC / 460 V AC three-phase application
- Phase protect monitoring by LED in case of wrong wiring
- Working led on LCU-B panel on actuator for monitoring on-off and failure mode.

- Materials** : Steel, aluminium alloy, al-bronze, polycarbonate.
- Enclosure** : Weatherproof enclosure IP67, NEMA 4 and 6. space heater 7~10W (110/220V AC) anti-condensation.
- Manuel Override** : Declutching mechanism located outside the body.
- Power Supply** : 220V AC 1PH (on request 110/380/ 440V AC three-phase circuit)
- Motor** : Squirrel caged induction, reversible
- Limit Switch** : 2 x open / close, SPDT, 250 V AC, 10A rating (on request additional +2 switches)
- Torque Switch** : Open / close, SPDT, 250 V AC, 10A rating (except HQ-008) continuous position indicator
- Flange Connection** : ISO 5211 standard (F03/F05/F07)
- Open and Close Time** : 13 ... 112 seconds (According to model) (50-60 Hz, 90° return)



## Linear Electric Actuators

for globe valves



- Materials** : Aluminium alloy, electrostatic polyester coated
- Enclosure** : Weatherproof enclosure IP67, NEMA 4 and 6. space heater 7 ~10W (110/220V AC) anti-condensation.
- Manuel Override** : Declutching mechanism located outside the body.
- Power Supply** : 220 V AC, (on request 110 V AC and 380V, 440V AC three-phase circuit)

Model	Spindle Speed (mm/sec)	Force Value	Max. Stork (mm)
LEA 50	0.44/0.53	5 KN	60
LEA 70	0.44/0.53	7 KN	60
LEA 100	0.69/0.82	10 KN	70
LEA 120	0.69/0.82	12 KN	70
LEA 150	0.69/0.82	15 KN	80
LEA 180	0.69/0.83	18 KN	100
LEA 200	0.69/0.83	20 KN	100
LEA 250	0.69/0.83	25 KN	100

## Digital Local Control Unit

LCU-C Series

- Applied with REA 150 ... 3000 series
- 220 V AC / 460 V AC three-phase application
- Light compact & intergrated design
- Built in auto phase discriminator (Easy & Convenient Wiring)
- Reliable against water, vibration, temperature etc.
- RS485 communication connection
- Automatic phase distribution
- Working led on ICU panel monitoring on-off and failure mode, with RS485 cable can be connected to the laptop.

<b>Materials</b>	: Steel, aluminium alloy, a-bronze, polycarbonate.
<b>Enclosure</b>	: Weatherproof enclosure IP67, NEMA 4 and 6. space heater 10W (110/220V AC) anti-condensation.
<b>Manuel Override</b>	: Declutching mechanism located outside the body.
<b>Power Supply</b>	: 220V AC, 1PH (on request 110/380/440V AC three-phase circuit)
<b>Motor</b>	: Squirrel caged induction, reversible
<b>Limit Switch</b>	: 2 x open / close, SPDT, 250 V AC, 10A rating (on request additional +2 switches)
<b>Torque Switch Indicator</b>	: Open / close, SPDT, 250 V AC, 10A rating (except REA 80) continuous position indicator
<b>Open and Close Time</b>	: 12 ... 37 seconds (50 ... 60 Hz, 90° return).



## Electric Actuated Stainless Steel Ball Valves

EAV 903 - 904 Series

### Electric Actuator Features

<b>Control Type</b>	: On-off (optional proportional)
<b>Power Supply</b>	: 220 V AC, 50 Hz (Optional 110 V AC, 24 V DC)
<b>On-Off Time</b>	: 13 / 14 sn.
<b>Output Torque</b>	: 40 Nm, 60 Nm
<b>Enclosure</b>	: IP67
<b>Ambient Temp.</b>	: -20 ... 70°C
<b>Optional</b>	: Local control unit, PCI, position transmitter, proportional unit can be added.

### Ball Valve Features

<b>Body</b>	: Full bore, AISI 316 stainless steel, 3 pieces.
<b>Port</b>	: 2/2 way, 3/2 ways assembled on both position.
<b>Seal</b>	: PTFE
<b>Pressure</b>	: High / low pressure
<b>Operating Pressure</b>	: PN 40 bar (1/2" ... 1 1/4"), 16 bar (1 1/2" ... 3")
<b>Operating Temp.</b>	: -20 ... 180 °C
<b>Test</b>	: All valves are tested at 20 bar for 48 hours * On request 2 pieces ball valve

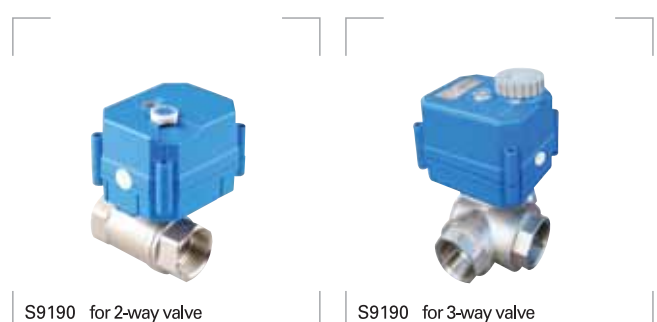


## S9190 Series

Quick mounting electric actuated valves for HVAC, 2-way, 3-way

These devices are used for HVAC (Heating, Ventilating and Air Conditioning) in a fast and reliable manner.

<b>Size</b>	: 1/2", 3/4", 1", 1 1/2"
<b>Body</b>	: Stainless Steel
<b>Valve options</b>	: 2 way, 3 way
<b>Temperature</b>	: 20 °C ... 80°C water, hot water
<b>Voltage</b>	: 24 V DC/AC, 220 V AC, on request 5V, 12V, 110V AC/DC
<b>Opening/closing time</b>	: 5 - 7 second.



## Electric Actuated Ball Valves

Brass, iron cast, stainless steel, carbon steel, PVC

### Electric Actuator Features

- Control Type : On-off (Optional proportional)
- Power Supply : 220 V AC, 50 Hz (Optional 110 V AC, 24 V DC)  
380 V AC, three-phase
- On-Off Time : 13 / 14 / 25 / 31 / 37 / 93 sn
- Output Torque : 40 Nm, 60 Nm ... 3000 Nm
- Enclosure : IP67 (on request IP68, exproof)
- Ambient Temp. : -20 ... 70°C
- Optional : Local Control Unit, PCI, position transmitter,  
proportional unit can be added.

### Ball Valve Features

- Body : Full bore, brass, stainless steel, carbon steel and cast iron, PVC
- Port : 2/2 way, 3 ways assembled on both position.
- Seal : PTFE
- Pressure : High / low pressures
- Operating Pressure : PN 40 bar (1/2" ..11/4"), 16 bar (11/2"...3")
- Operating Temp. : -20....80°C / 130°C / 180°C
- Test : All valves are tested at 20 bar for 48 hours.



EAV 901, 2/2 way  
brass body

EAV 902, 3/2 way  
brass body



EAV 914 - 2/2 way  
PVC body

EAV 914 - 3/2 way  
PVC body



EAV 907, Cast Iron

EAV 907  
Natural gas, LPG)



EAV 905F  
AISI 316 Stainless Steel Body



EAV 920F  
Plug Valve



EAV 908F  
3/2 way carbon steel body

## Electric Actuated Butterfly Valve (Stainless Steel Body)

EAV 800 Series

### Electric Actuator Features

- Control Type : On-off (optional proportional)
- Power Supply : 220 V AC, 50 Hz (Optional 110 V AC, 24 V DC)  
380 V AC three-phase)
- On-Off Time : 13 / 14 / 25 / 31 / 37 / 93 sn
- Output Torque : 40 Nm, 60 Nm ... 3000 Nm
- Enclosure : IP67 (on request IP68, exproof)
- Ambient Temp. : -20°C...70°C
- Optional : Local control unit, PCI, position transmitter,  
proportional unit can be added.

### Butterfly Valve Features

- Body : GG 25 epoxy coated  
**Optional:** Rilsan coated, stainless steel body
- Disc : GGG 50 epoxy coated  
**Optional:** Rilsan coated  
On request: 304-316 stainless steel
- Seal : EPDM (-30...130°C) or NBR (-30....90°C), PTFE, VITON  
Optional: PTFE, viton, silicone
- Operating Pressure : PN 6 (optional: PN 10, PN 16)
- Operating Temp. : EPDM (-30...130°C), or NBR seal(-30....90°C)
- Stem : AISI 420 stainless steel



Electric Actuated Butterfly Valves



EAV 800  
Electric Actuated Butterfly Valves





VENİKÖY 212 2176585 EAENG 10.03.2014

all over the world ...

**AFRICA**

ALGERIA  
EGYPT  
ETHIOPIA  
IVORY COAST  
KENYA  
MOROCCO  
NIGERIA  
SOUTH AFRICA  
TUNISIA

**AMERICA**

ARGENTINA  
DOMINICAN REPUBLIC  
CANADA  
CHILE  
COLOMBIA  
PERU  
UNITED STATES OF AMERICA

**ASIA**

AZERBAIJAN  
INDIA  
INDONESIA  
IRAQ  
IRAN  
ISRAEL  
KAZAKHSTAN  
KUWAIT  
LEBANON  
MALAYSIA  
OMAN  
PAKISTAN  
SAUDI ARABIA  
SINGAPORE  
SOUTH KOREA  
SRI LANKA  
SYRIA  
THAILAND  
TURKISH REP. OF N. CYPRUS  
UNITED ARAB EMIRATES  
UZBEKISTAN  
VIETNAM

**EUROPE**

ALBANIA  
AUSTRIA  
BELGIUM  
BULGARIA  
CROATIA  
CZECH REPUBLIC  
DENMARK  
ESTONIA  
FRANCE  
GERMANY  
GORGIA  
GREECE  
IRELAND  
ITALY  
KOSOVO  
LATVIA  
LITHUANIA  
LUXEMBOURG  
MALTA  
MOLDOVA  
NETHERLANDS  
NORWAY  
ROMANIA  
RUSSIA  
SERBIA  
SPAIN  
SWEDEN  
UKRAINE  
UNITED KINGDOM

**AUSTRALIA**

AUSTRALIA  
NEW ZEALAND

Solenoid Valves



Pneumatic Actuators



Angle - Seated Piston Valves



Limit Switch Boxes



Pneumatic Actuated Valves



Electric Actuated Valves



Flow Measuring Instruments



Pressure Measuring Instruments



Level Measuring Instruments



Temperature Measuring Instruments

